



THANK YOU FOR BUYING A WHIRLPOOL PRODUCT.
In order to receive a more complete assistance, please register your appliance on: www.whirlpool.eu/register

Before using the appliance carefully read Safety and Installation Instructions. More information about your product available on website: docs.whirlpool.eu

⚠ After installation, please remember to remove all transport protection parts from the dishwasher.

CONTROL PANEL

1. **ON-OFF/Reset** button with indicator light
2. **PREVIOUS program** button
3. **NEXT program** button
4. **FAVOURITE program** button with indicator light
5. **Salt reservoir empty** indicator light
6. **Rinse Aid reservoir empty** indicator light
7. **DESCALE** indicator light
8. **Closed Water Tap** indicator light
9. **Display**
10. **Program number** and **remaining time** indicator
11. **Power Clean® option** button with indicator light
12. **Half Load option** button with indicator light/ **Settings** - 3 sec. press
13. **Extra Dry option** button with indicator light
14. **Delay option** button with indicator light
15. **START/Pause** button with indicator light



FIRST TIME USE

SETTING MENU

1. Switch on the appliance by pressing the **ON-OFF** button.
2. Hold the **Settings** button for 3 seconds, until you hear a beep and the display shows, **SET**.
3. After one second the first available setting (letter, **h**) will be displayed.
4. Press **PREVIOUS</NEXT>** to scroll through the list of available settings (see table below), then press **START/Pause** to view and change the value of the currently selected setting.
5. Press **PREVIOUS</NEXT>** to change the value, then press **START/Pause** to save the new value and return to the main menu.
6. To change another setting, repeat points 4 and 5.
7. Press **ON-OFF** or wait 30 seconds to exit the menu.

LETTER	SETTING	VALUES (Default - in bold)
h	Water Hardness Level <i>(see "SETTING THE WATER HARDNESS" and "WATER HARDNESS TABLE")</i>	1 2 3 4 5
i	Rinse Aid Level <i>(see "ADJUSTING THE DOSAGE OF RINSE AID")</i>	0 1 2 3 4 5
j	NaturalDry <i>(see "OPTIONS AND FUNCTIONS")</i> "1" = On, "0" = Off	1 0
k	Light on the floor <i>(see "OPTIONS AND FUNCTIONS")</i> "1" = On, "0" = Off	1 0
l	Sound "1" = On, "0" = Off	1 0
m	Factory Settings Press START/Pause to restore to the factory default all the values of the settings included in the settings menu.	-

FILLING THE SALT RESERVOIR

The use of salt prevents the formation of LIMESCALE on the dishes and on the machine's functional components. The salt reservoir is located in the lower part of the dishwasher (under the lower rack on the left side).

- It is mandatory that **THE SALT RESERVOIR NEVER BE EMPTY.**
- It is important to set the water hardness.
- Salt must be filled when the **SALT REFILL indicator light** is on the control panel is lit.



1. Remove the lower rack and unscrew the reservoir cap (anticlockwise).
2. Position the funnel (see figure) and fill the salt reservoir right up to its edge (approximately 0,5 kg); it is not unusual for a little water to leak out.
3. **Only the first time you do this: fill the salt reservoir with water.**

4. Remove the funnel and wipe any salt residue away from the opening. Make sure the cap is screwed on tightly so that no detergent can get into the container during the wash program (this could damage the water softener beyond repair).

Run a program every time as soon as you completed refilling the salt reservoir to avoid corrosion.

Setting the water hardness

To allow the water softener to work in a perfect way, it is essential that the water hardness setting is based on the actual water hardness in your house. This information can be obtained from your local water supplier. The factory setting is "3". See, **WATER HARDNESS TABLE**.

To change, follow instructions in section "SETTING MENU".

Before using the appliance carefully read Safety and Installation Instructions. More information about your product available on website: docs.whirlpool.eu

⚠ After installation, please remember to remove all transport protection parts from the dishwasher.

12. **Half Load option** button with indicator light/ **Settings** - 3 sec. press
13. **Extra Dry option** button with indicator light
14. **Delay option** button with indicator light
15. **START/Pause** button with indicator light

Water Hardness Table			
Level	°dH German degrees	°fH French degrees	°Clark English degrees
1 (soft)	0 - 6	0 - 10	0 - 7
2 (medium)	7 - 11	11 - 20	8 - 14
3 (average)	12 - 16	21 - 29	15 - 20
4 (hard)	17 - 34	30 - 60	21 - 42
5 (very hard)	35 - 50	61 - 90	43 - 62

Only use salt that has been specifically designed for dishwashers.

After the salt has been poured into the machine, the **SALT REFILL** indicator light switches off.

If the salt container is not filled, the water softener and the heating element may be damaged as a result of limescale accumulation. Use of salt is recommended with any type of dishwasher detergent.

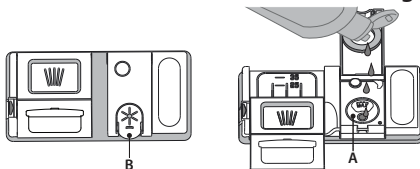
WATER SOFTENING SYSTEM

Water softener automatically reduces water hardness, consequently preventing scale buildup on the heater, contributing also to better cleaning efficiency. **This system regenerates itself with salt, therefore it is required to refill the salt container when empty.** The frequency of regeneration depends on the water hardness level setting - regeneration takes place once per **4-6** Eco cycles with the water hardness level set to **3**. The regeneration process occurs at the beginning of the cycle with additional fresh water.

- Single regeneration consumes: ~3L of water;
- Takes up to 5 additional minutes for the cycle;
- Consumes below 0.005kWh of energy.

FILLING THE RINSE AID DISPENSER

Rinse aid makes dish **DRYING** easier. The rinse aid dispenser **A** should be filled when the **RINSE AID REFILL indicator light** in the control panel is lit.



1. Open the dispenser **B** by pressing and pulling up the tab on the lid.
2. Pour in the rinse aid (max.110 ml), making sure it does not overflow from the dispenser. If this happens, clean the spill immediately with a dry cloth.

3. Press the lid down until you hear a click to close it. **NEVER pour the rinse aid directly into the appliance tub.**

Adjusting the dosage of rinse aid

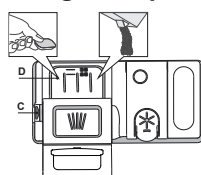
If you are not completely satisfied with the drying results, you can adjust the quantity of rinse aid used.

To change, follow instructions in the section "SETTING MENU". If the rinse aid level is set to ZERO, no rinse aid will be supplied. The **LOW RINSE AID indicator light** will not be lit if you run out of rinse aid.

- A maximum of **6** levels can be set according to the dishwasher model.
- If you see bluish streaks on the dishes, set a low number (0-3).
- If there are drops of water or limescale marks on the dishes, set a mid-range number (4-5).

FILLING THE DETERGENT DISPENSER

To open the detergent dispenser use the opening device **C**. Introduce the detergent into the dry dispenser **D** only. Place the amount of detergent for pre-washing directly inside the tub.



1. When measuring out the detergent refer to the mentioned earlier information to add the proper quantity. Inside the dispenser **D**, there are indications to help the detergent dosing.
2. Remove detergent residues from the edges of the dispenser and close the cover until it clicks.
3. Close the lid of the detergent dispenser by pulling it up until the closing device is secured in place.

The detergent dispenser automatically opens up at the right time according to the program.

Usage of detergent not designed for dishwashers may cause malfunction or damage to the appliance.

DAILY USE

1. CHECK WATER CONNECTION

Check that the dishwasher is connected to the water supply and that the tap is open.

2. SWITCH ON THE DISHWASHER

Open the door and press the **ON/OFF** button.

3. LOAD THE RACKS (see *LOADING THE RACKS*).

4. FILL THE DETERGENT DISPENSER

5. CHOOSE THE PROGRAM AND CUSTOMISE THE CYCLE

Select the most appropriate program in accordance with the type of crockery and its soiling level (see *PROGRAMS DESCRIPTION*) by pressing the **PREVIOUS/NEXT** buttons.

Select the desired options (see *OPTIONS AND FUNCTIONS*). Not all options are compatible with all programs.

6. START

Start the wash cycle by pressing **START/Pause** button (led is lit) and closing the door within 4 sec. When the program starts you hear a single beep. If the door was not closed within 4sec., the alarm sound will be played. In this case, open the door, press **START/Pause** button and close the door again within 4 sec.

7. END OF WASH CYCLE

The end of the wash cycle is indicated by sound and the display shows **END**. Open the door and switch off the appliance by pressing the **ON/OFF** button.

Wait for a few minutes before removing the crockery - to avoid burns. Unload the racks, beginning with the lower one.

MODIFYING A RUNNING PROGRAM

If a wrong program was selected, it is possible to change it, provided that it has only just begun. **RESET** the machine: press and hold the **ON/OFF** button for more than 3. sec., and the machine will switch off. **The dashboard will show "0:01"**. Close the door and wait until drain cycle ends (around 1 minute). Open the door and switch the machine back on using the **ON/OFF** button and select the new wash cycle and any desired options. Start the cycle by pressing the **START/Pause** button and closing the door within 4 sec.

ADDING EXTRA CROCKERY

Without switching off the machine, open the door first slightly to avoid water splashing out (**START/Pause** led starts blinking) (**Caution! Hot steam!**) and place the crockery inside the dishwasher. Press the **START/Pause** button and close the door within 4 sec., the cycle will resume from the point at which it was interrupted.

ACCIDENTAL INTERRUPTIONS

If the door is opened during the wash cycle, or if there is a power cut, the cycle stops. **ONLY IF YOU PRESS** the **START/Pause** button and close the door within 4 sec., the cycle will resume from the point at which it was interrupted.

ADVICE AND TIPS

TIPS

Before loading the baskets, remove all food residues from the crockery and empty the glasses. **You do not need to rinse beforehand under running water.**

Arrange the crockery so that it is held in place firmly and does not tip over; and arrange the containers with the openings facing downwards and the concave/convex parts placed obliquely, thus allowing the water to reach every surface and flow freely.

Warning: lids, handles, trays and frying pans should not prevent the sprayer arms from rotating.

Place any small items in the cutlery basket.

Very soiled dishes and pans should be placed in the lower basket because in this sector the water sprays are stronger and allow a higher washing performance.

After loading the appliance, make sure that the sprayer arms can rotate freely.

UNSUITABLE CROCKERY

- Wooden crockery and cutlery.
- Delicately decorated glasses, artistic handicrafts and antique crockery. Their decorations are not resistant.
- Parts in synthetic material which do not withstand high temperatures.
- Copper and tin crockery.
- Crockery soiled with ash, wax, lubricating grease or ink.

The colours of glass decorations and aluminium/silver pieces can change and fade during the washing process. Some types of glass (e.g. crystal objects) can become opaque after a number of wash cycles too.

DAMAGE TO GLASS AND CROCKERY

- Only use glasses and porcelain guaranteed by the manufacturer as dishwasher safe.
- Use a delicate detergent suitable for crockery
- Collect glasses and cutlery from the dishwasher as soon as the wash cycle is over.

TIPS ON ENERGY SAVING

- When the household dishwasher is used according to the manufacturer's instructions, **washing tableware in a dishwasher usually consumes less energy and water than hand dishwashing.**
- In order to maximize dishwasher efficiency, it is recommended to **initiate the wash cycle once the dishwasher is fully loaded.** Loading the household dishwasher up to the capacity indicated by the manufacturer will contribute to energy and water savings. Information on the correct loading of tableware can be found in the Loading chapter. In case of partial loading, it is recommended to use a dedicated wash options if available (Half load/ Zone Wash/ Multizone), filling up only selected racks. Incorrect loading or overloading of the dishwasher may increase resources usage (such as water, energy and time, as well as increase noise level), reducing cleaning and drying performance.
- Manual pre-rinsing of tableware items leads to increased water and energy consumption and is not recommended.

HYGIENE

To avoid odour and sediment which can be accumulated in the dishwasher **please run a high-temperature program at least once a month.** Use a teaspoon of detergent and run it without loading to clean your appliance.

RESISTANCE TO FROST

If the appliance is placed in surroundings exposed to the risk of frost, it **must be drained completely.** Turn off the water tap, remove the inlet and outlet hoses, and let all the water drain away. **Make sure that the water softener is full of dissolved regeneration salt in the salt container,** to protect the appliance from temperatures of up to -20°C.

If the appliance was stored in frost conditions the appliance must remain at an ambient temperature of min. 5°C for **at least 24 hours** before the first run.

PROGRAMS TABLE

Program	Programs description	Drying phase	NaturalDry	Available options *)	Duration of wash program (h:min)**)	Water consumption (litres/cycle)	Energy consumption (kWh/cycle)
P1 Eco	Eco 50° - Program is suitable to clean normally soiled tableware, that for this use, it is the most efficient program in terms of its combined energy and water consumption, and that it is used to assess compliance with the EU Ecodesign legislation.	✓	✓		3:30	9.5	0.75
P2	Auto Intensive 65° - Automatic program for heavily soiled dishes and pans.	✓	✓		2:25-3:10	15.5-24.5	1.30-1.70
P3	Auto Mixed 55° - Automatic program for normally soiled dishes with dried food residues.	✓	✓		1:20-3:00	7.5-19.5	0.75-1.20
P4	Auto Fast 50° - Automatic program for normally and lightly soiled dishes. The everyday cycle that ensures optimal cleaning and drying performance in a shorter time.	✓	✓		1:00-1:50	7.5-15.5	0.70-1.10
P5	Rapid 45° - Program is recommended for limited amount of lightly-soiled dishes with no dried food residues. Does not include the drying phase.	-	✓		0:30-0:40	10-12	0.55-0.65
P6	Crystals 45° - Program for delicate items, which are more sensitive to high temperatures, for example, glasses and cups.	✓	✓		1:40-1:50	12.5-16.5	0.95-1.20
P7	Silent 55° - Suitable for night-time operation of the appliance. Ensures optimal cleaning and drying performance with the lowest noise emission.	✓	✓		3:50-4:10	10.5-14.5	0.80-1.15
P8	Sanitizing 65° - Normally or heavily soiled crockery, with additional antibacterial wash. Can be used to perform maintenance of the dishwasher.	✓	-		1:55-2:10	12-19	1.40-1.80
P9	Prewash - Used to refresh crockery planned to be washed later. No detergent is to be used with this program.	-	✓		0:12	4.5	0.10
P10	Self Clean 65° - Program to be used to perform maintenance of the dishwasher, to be carried out only when the dishwasher is EMPTY using specific detergents designed for dishwasher maintenance.	-	-		1:15	11.0	1.10

ECO program data is measured under laboratory conditions according to European Standard EN 60436:2020.

Note for Test Laboratories: For information on comparative EN testing conditions, please send an email to the following address: dw_test_support@whirlpool.com

Pre-treatment of the dishes is not needed before any of the programs.

*) Not all options can be used simultaneously.

**) Values given for programs other than the program Eco are indicative only. The actual time may vary depending on many factors such as temperature and pressure of the incoming water, room temperature, amount of detergent, quantity and type of load, load balancing, additional selected options and sensor calibration. The sensor calibration can increase program duration by up to 20 min.

OPTIONS AND FUNCTIONS

OPTIONS can be selected/ deselected, after choosing the program, directly by pressing the corresponding button (if available - the indicator lights up) (see CONTROL PANEL). If an option is not compatible with the selected program (see PROGRAMS TABLE), the corresponding LED flashes rapidly 3 times and beeps will sound. The option will not be enabled. An option can change time or water or energy consumption for the program.

POWER CLEAN® - Thanks to the additional power jets this option provides a more intensive and powerful wash in the lower rack, in the specific area. This option is recommended for washing pots and casseroles (please refer to the Power Clean® in loading section).

HALF LOAD - If there are not many dishes to be washed, HALF LOAD is used to save water, electricity or time, depending on the selected program.

Remember to reduce the amount of detergent.

EXTRA DRY - The higher temperature during the final rinse and the extended drying phase which allows for improved drying. The EXTRA DRY option results in the lengthening of the wash cycle.

DELAY - The start of the program may be delayed for a period of time between **0:30** and **24** hours.

1. Select the program and any desired options. Press the DELAY button (repeatedly) to delay the start of the program. Adjustable from 0:30 to 24 hours. Once the 24 hours setting is reached, press the DELAY another time to deactivate the DELAY function.

2. Press the START/Pause button and close the door within 4 sec. the timer will begin counting down.

3. Once this time has elapsed, the indicator light switches off and the program begins automatically.

The DELAY function cannot be set once a program has been started.

SENSING - When the sensor is detecting the soil level an animation appears in the display (around 20 min.) and the cycle duration is updated. SENSING is for the level of soiling on the dishes and it is present for all cycles (excepting Eco) adjusting the program accordingly.

FAVOURITE PROGRAM - The favourite program may be saved and will be easily accessible. Find the program using **PREVIOUS/NEXT**, and then press the **FAVOURITE PROGRAM** button for 3 seconds.

LIGHT ON THE FLOOR - A LED light projected on the floor indicates that the dishwasher is working. The light goes off at the end of a cycle. This feature is active by default, but it is possible to deactivate it in the "SETTINGS MENU".

NaturalDry - It is a convection drying system which automatically opens the door during/after the drying phase to ensure exceptional drying performance every day. The door opens at a temperature that is safe to your kitchen furniture.

As additional steam protection, specially designed protection foil is added together with the dishwasher.

To see how to mount protection foil please refer to the INSTALLATION GUIDE.

This feature is active by default, but it is possible to deactivate it in the "SETTINGS MENU".

DESCALE - Alarm - Limescale accumulation was detected on the internal components of the appliance. Check if the **Water Hardness Setting** is at the correct value and **salt** is present in the salt container (see **FIRST TIME USE**), then **use a descaling product** (WPro brand is recommended) with the **Self-Clean program**. After a successful descaling, the icon will stop being displayed.

If the actions above are not performed, product performance will deteriorate. DESCAL warning will start blinking and «**dES**» alarm will appear on the display. If still no action is taken, the appliance will only allow a certain number of cycles to be started (indicated during «**dES**» alarm display) and then will be **BLOCKED** to prevent component damage, **with only the Self-Clean program available**. Performing a full descaling will unblock the product. In the case of extremely high amounts of limescale, descaling may have to be performed twice to be efficient.

WATER TAP CLOSED - Alarm - Flashes when there is no inlet water or water tap is closed.

LOADING THE RACKS

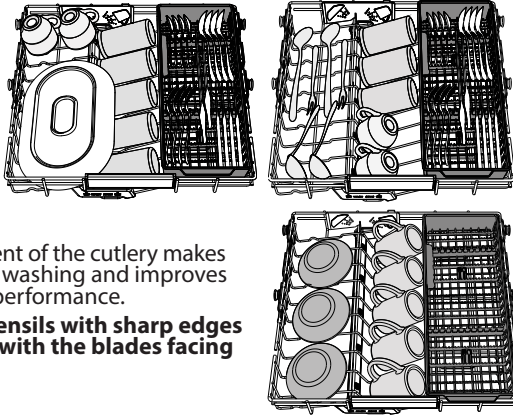
CAPACITY: 14 standard place-settings

TOP RACK

The Top Rack provides a targeted cleaning Wash Zone for bowls, mugs, even big plates and cutlery that you'd normally load in the lower racks, making extra space for the rest of the day's dishes.

A separate arrangement of the cutlery makes collection easier after washing and improves washing and drying performance.

Knives and other utensils with sharp edges must be positioned with the blades facing downwards.

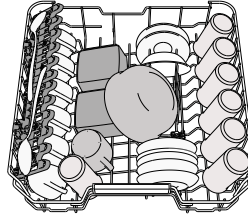


UPPER RACK

Load delicate and light dishes: glasses, cups, saucers, low salad bowls.

The upper rack has tip-up supports which can be used in a vertical position when arranging tea/ dessert saucers or in a lower position to load bowls and food containers.

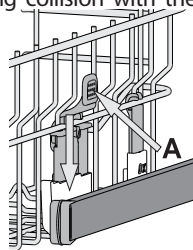
(loading example for the upper rack)



Adjusting the height of the upper rack

The height of the upper rack can be adjusted: a high position to place bulky crockery in the lower basket and low position to make the most of the tip-up supports by creating more space upwards and avoiding collision with the items loaded into the lower rack.

The upper rack is equipped with an **Upper Rack height adjuster** (see figure), without pressing the levers, lift it up by simply holding the rack sides, as soon as the rack is stable in its upper position. To restore to the lower position, press the levers **A** at the sides of the rack and move the basket downwards.



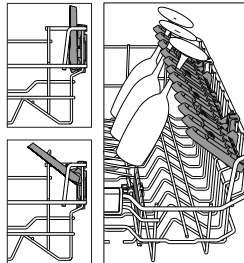
We strongly recommend that you do not adjust the height of the rack when it is loaded. NEVER raise or lower the basket on one side only.

Foldable flaps with adjustable position

The side foldable flaps can be folded or unfolded to optimize the arrangement of crockery inside the rack. Wine glasses can be placed safely in the foldable flaps by inserting the stem of each glass into the corresponding slots.

Depending on the model:

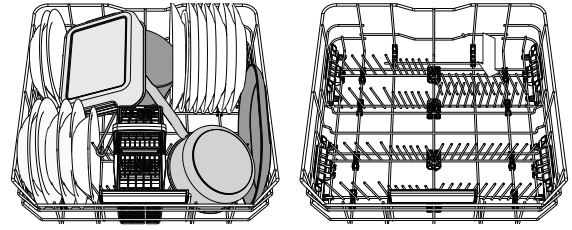
- to unfold the flap there is needed to slide it up and rotate or release it from the snaps and pull it down.
- to fold the flap there is needed to rotate it and slide flap down or pull it up and attach flap to the snaps.



LOWER RACK

For pots, lids, plates, salad bowls, cutlery etc. Large plates and lids should ideally be placed at the sides to avoid interferences with the spray arm.

The lower rack has tip-up supports which can be used in a vertical position when arranging plates or in a horizontal position (lower) to load pans and salad bowls easily.



(loading example for the lower rack)

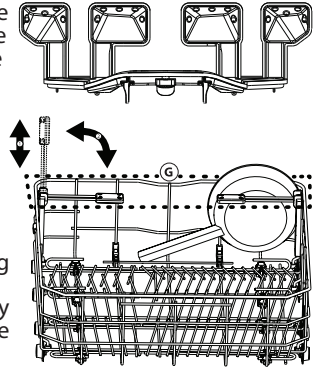
POWER CLEAN®

Power Clean® uses the special water jets in the rear of the cavity to wash more intensively the highly dirty items. The lower rack has a Space Zone, a special pull-out support in the rear of the rack that can be used to support frying pans or baking pans in an upright position, thus taking up less space.

Placing the pots/casseroles faced to the Power Clean® component please activate the **POWER CLEAN®** on the panel.

How to use the Power Clean®:

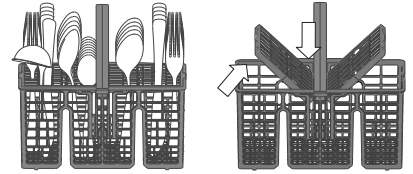
1. Adjust the Power Clean® area **G** folding down the rear plate holders to load pots.
2. Load pots and casseroles inclined vertically in the Power Clean® area. Pots have to be inclined towards the powerful water jets.



Cutlery basket

It is fitted with top grids for improved cutlery arrangement. It must only be positioned at the front of the lower rack.

Knives and other utensils with sharp edges must be placed in the cutlery basket with the points facing downwards or they must be positioned horizontally in the tip-up compartments on the upper rack.



CARE AND MAINTENANCE

CLEANING THE FILTER ASSEMBLY

Regularly clean the filter assembly so that the filters do not clog and that the waste water flows away correctly.

Using the dishwasher with clogged filters or foreign objects inside the filtration system or spray arms may cause unit malfunction resulting in loss of performance, noisy work or higher resources usage.

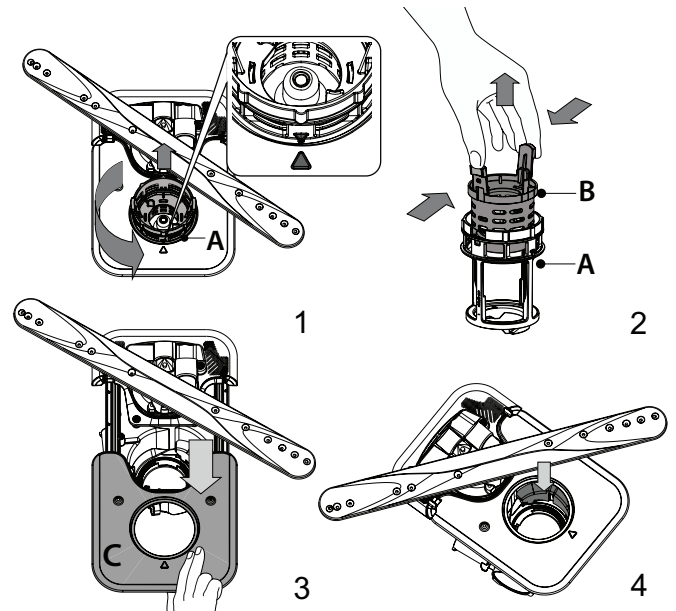
The filter assembly consists of three filters which remove food residues from the washing water and then recirculate the water.

The dishwasher must not be used without filters or if the filter is loose.

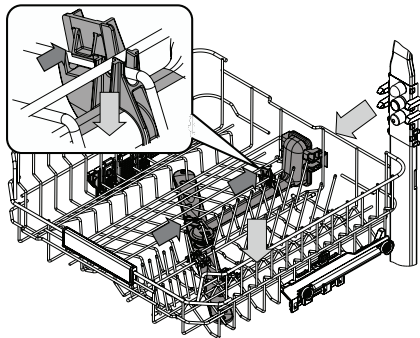
At least once per month or after every 30 cycles, check the filter assembly and if necessary clean it thoroughly under running water, using a non-metallic brush and following the instructions below:

1. Turn the cylindrical filter **A** in an anti-clockwise direction and pull it out (Fig 1). **It is important when reinstalling the filter that the two triangles shown on the zoom meet.**
2. Remove the cup filter **B** by exerting a slight pressure on the side flaps (Fig 2).
3. Slide out the stainless-steel plate filter **C** (Fig 3).
4. In case you find foreign objects (such as broken glass, porcelain, bones, fruit seeds etc.) **please remove them carefully.**
5. Inspect the trap and remove any food residues. **NEVER REMOVE** the wash-cycle pump protection (shown by an arrow) (Fig 4).

After cleaning the filters, replace the filter assembly and fix it in position correctly; this is essential for maintaining the efficient operation of the dishwasher.

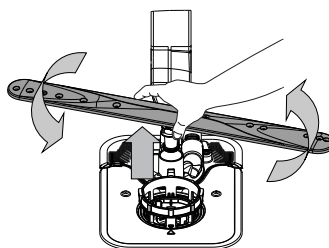


CLEANING THE SPRAY ARMS

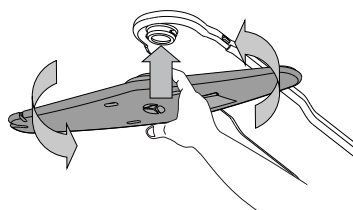


On occasions, food residue may become encrusted onto the spray arms and block the holes used to spray the water. It is therefore recommended that you check the arms from time to time and clean them with a small non-metallic brush.

To remove the upper spray you must remove it together with the manifold.



The lower spray arm may be removed by pulling it upwards and rotating it anti-clockwise. Mounting back the spray arm is by pulling it down and rotating it clockwise.



The top spray arm may be removed by pressing it up and then rotating it anti-clockwise. Mounting back the spray arm is by pulling it upwards and rotating it clockwise.

The Top Rack has a fixed wash tube with all the wash nozzles facing upward. To clean it you can slide the rack out and with a tweezer remove items that may be lodged in the nozzles.

TROUBLESHOOTING

In case your dishwasher doesn't work properly, check if the problem can be solved by going through the following list. For other errors or issues please contact authorized After-sales Service whose contact details can be found in the warranty booklet. Spare parts will be available for a period of either up to 7 or up to 10 years, according to the specific Regulation requirements.

PROBLEMS	POSSIBLE CAUSES	SOLUTIONS
The salt indicator is lit	Salt reservoir is almost empty.	Refill the reservoir with salt (for more information - see <i>FILLING THE SALT RESERVOIR</i>). Check the water hardness setting if necessary (see <i>WATER HARDNESS TABLE</i>).
The salt indicator is blinking	Salt reservoir is empty.	Refill the reservoir with salt as soon as possible. Using the appliance without salt may cause damage to its internal components.
The rinse aid indicator is lit or blinking	Rinse aid dispenser is empty. (After refill the rinse aid indicator may remain lit for a short time).	Refill the dispenser with rinse aid (for more information - see <i>FILLING THE RINSE AID DISPENSER</i>).
Descale indicator is lit or blinking; "dES" alarm is displayed.	Limescale is accumulating on internal components of the appliance.	Descale the appliance immediately using the Self Clean program and a commercially available descaling product (see <i>OPTIONS AND FUNCTIONS</i>). Refill the reservoir with salt. Check the water hardness setting. If the appliance is not descaled, it will stop functioning.
The dishwasher won't start or does not respond to commands.	The appliance has not been plugged in properly.	Insert the plug into the socket.
	Power outage.	For safety reasons, the dishwasher will not restart automatically when power returns. Open dishwasher door, press START/Pause button and close the door within 4 seconds.
	The dishwasher door is not closed. NaturalDry pin is not pulled in.	Vigorously push the door until you hear the "click".
	A cycle is interrupted by door opening for more than 4 seconds.	Press START/Pause and close the door within 4 seconds.
The dishwasher won't drain. Display shows: F7 E3 or F9 E1	The filter is clogged with food residues or limescale	Clean the filter and descale the appliance (see <i>CLEANING THE FILTER ASSEMBLY and DESCALE INSTRUCTION</i>).
	The drain hose is kinked.	Check the drain hose (see <i>INSTALLATION INSTRUCTION</i>).
	The sink drain pipe is blocked.	Clean the sink drain pipe.
The dishwasher makes excessive noise.	Dishes are rattling against each other.	Position the crockery correctly (see <i>LOADING THE RACKS</i>).
	An excessive amount of foam is present.	The detergent has not been measured out correctly or it is not suitable for use in dishwashers (see <i>FILLING THE DETERGENT DISPENSER</i>). Restart the current cycle by switching OFF the dishwasher, then switch it on again, select a new program, press START/Pause and close the door within 4 seconds. Please do not add any detergent.
	Crockery has not been arranged properly.	Arrange the crockery correctly (see <i>LOADING THE RACKS</i>).
	The filter is clogged with food residues or limescale.	Clean the filter assembly (see <i>CARE AND MAINTENANCE</i>).
The dishes are not clean.	Crockery has not been arranged properly.	Arrange the crockery correctly (see <i>LOADING THE RACKS</i>).
	Spray arms cannot rotate freely, being hindered by the dishes.	Arrange the crockery correctly (see <i>LOADING THE RACKS</i>). Check that the upper rack is in the correct position and adjust (lift up) if necessary.
	The wash cycle is too gentle.	Select an appropriate wash cycle (see <i>PROGRAMS TABLE</i>).
	An excessive amount of foam is present.	The detergent has not been measured out correctly or it is not suitable for use in dishwashers (see <i>FILLING THE DETERGENT DISPENSER</i>).
	The cap on the rinse aid compartment has not been closed correctly.	Make sure the cap of the rinse aid dispenser is closed.
	The filter is clogged with food residues or limescale.	Clean the filter and descale the appliance (see <i>CLEANING THE FILTER ASSEMBLY</i>).
The salt reservoir is empty.	Fill the salt reservoir (see <i>FILLING THE SALT RESERVOIR</i>).	

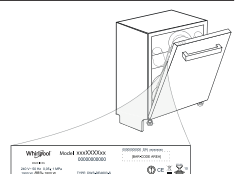
PROBLEMS	POSSIBLE CAUSES	SOLUTIONS
The dishwasher does not fill the water. The display shows: H2O and \emptyset is lit; acoustic alarm sounds.	No water in the water supply or the tap is closed.	Make sure there is water in the water supply and the water tap is open.
	The water inlet hose is kinked.	Check the inlet hose (see <i>INSTALLATION</i>). Open dishwasher door, press START/Pause button and close the door within 4 seconds.
	The screen in the water inlet hose is clogged; it is necessary to clean it.	Check and clean the screen in the water inlet hose. Open dishwasher door, press START/Pause button and close the door within 4 seconds.
The dishwasher finishes the cycle prematurely. The display shows: F8 E3	The filter is clogged with food residues or lime-scale.	Clean the filter and descale the appliance (see <i>CLEANING THE FILTER ASSEMBLY and DESCALE INSTRUCTION</i>).
	Drain hose positioned too low or siphoning into the home sewage system.	Check if the end of the drain hose is placed at the correct height (see <i>INSTALLATION</i>). Check for siphoning into the home sewage system, and install a siphon breaker/air admittance valve if necessary.
	An excessive amount of foam is present.	The detergent has not been measured out correctly or it is not suitable for use in dishwashers (see <i>FILLING THE DETERGENT DISPENSER</i>).
	Air in the water supply.	Check water supply for leaks or other issues letting air inside.
The dishes are not dried well.	Rinse aid is not present or the dosage is too low.	Make sure the rinse aid dispenser is filled (see <i>FILLING THE RINSE AID DISPENSER</i>). Multifunctional tablets only will not provide as good drying effects as the actual use of liquid rinse aid.
	The dishes have been unloaded after the door was opened automatically but before the actual cycle end.	Make sure the cycle has ended before starting to unload the dishes (see <i>DAILY USE</i>). For even better drying results, it is recommended to let the dishes sit inside the dishwasher with the door open for additional 15 minutes after the cycle ends.
	The dishes are sitting too flat.	If you notice puddles of water inside cavities of cups, mugs or bowls, try loading the dishes (especially in the upper rack) providing more inclination to let larger amounts of water drip down before drying starts.
	The selected cycle does not have the drying phase.	Please check in the <i>PROGRAMS TABLE</i> if the selected program is equipped in the drying phase. A cycle without the drying phase may not deliver desired drying efficiency, so it is recommended to change cycle selection for the one that has the drying phase.
	The dishes are made of non-stick or plastic.	Some water drops remaining on this type of material are normal.
Dishes and glasses have blue streaks or bluish tinges.	Rinse aid dosage is excessive.	Adjust the dosage to a lower setting.
Dishes and glasses are covered with lime-scale or a whitish film.	The salt reservoir is empty.	Refill the reservoir with salt as soon as possible. Using the appliance without salt may cause damage to its internal components.
	The water hardness setting is too low.	Increase the setting (see <i>WATER HARDNESS TABLE</i>).
	The cap of the salt reservoir is not properly closed.	Check and close the salt reservoir cap.
	The rinse aid reservoir is empty or the rinse aid dosage is insufficient.	Refill the dispenser with rinse aid and check the dosage setting (for more information - see <i>FILLING THE RINSE AID DISPENSER</i>).
The dishwasher shows F8 E5	Valve is blocked or faulty.	Close the water tap, if possible. Do not switch off the power supply. Call the service.



Policies, standard documentation, ordering of spare parts and additional product information can be found by:

- Using QR code and visiting our website: docs.whirlpool.eu
- Visiting our website: parts-selfservice.whirlpool.com
- Alternatively, **contact our After-sales Service** (See phone number in the warranty booklet). When contacting our After-sales Service, please state the codes provided on your product's identification plate.

The model information can be retrieved using the QR-Code reported in the energy label. The label also includes the model identifier that can be used to consult the portal of the registry at <https://eprel.ec.europa.eu>





MERCI D'AVOIR CHOISI UN PRODUIT WHIRLPOOL
Afin de recevoir une assistance plus complète, merci d'enregistrer votre appareil sur: www.whirlpool.eu/register

Avant d'utiliser l'appareil, il convient de lire attentivement les consignes de sécurité et d'installation. Pour en savoir plus concernant votre produit, consulter le site Internet : docs.whirlpool.eu

⚠ Après l'installation, rappelez-vous d'enlever toutes les pièces de protection pour le transport du lave-vaisselle.

PANNEAU DE COMMANDE

1. Touche et voyant **MARCHE-ARRÊT/Réinitialisation**
2. Touche de **programme PRÉCÉDENT**
3. Touche de **programme SUIVANT**
4. Touche et voyant **programme FAVORI**
5. Témoin de réservoir de sel vide
6. Témoin de réservoir de liquide de rinçage vide
7. Témoin **DÉTARTRAGE**
8. Voyant **Robinet d'eau fermé**
9. **Écran**
10. Indicateur de **numéro de programme et de temps restant**
11. Touche et voyant de l'**option Power Clean®**



12. Touche et voyant **d'option Demi-charge/Réglages** - pression de 3 secondes
13. Touche et voyant **d'option Extra Sec**
14. Touche et voyant **d'option Départ Différé**
15. Touche et voyant **DÉPART/Pause**

PREMIÈRE UTILISATION

MENU DE RÉGLAGE

1. Allumer l'appareil en appuyant sur la touche **MARCHE-ARRÊT** (⏻).
2. Maintenir la touche **Réglages** (⚙) (Demi-charge (⏻)) pendant 3 secondes jusqu'à ce que vous entendiez un bip et que l'écran affiche « **SET** ».
3. Après une seconde, le premier réglage disponible (lettre « **h** ») s'affichera.
4. Appuyer sur **PRÉCÉDENT</SUIVANT>** pour faire défiler la liste des réglages disponibles (voir tableau ci-dessous), puis appuyer sur **DÉPART/Pause** (⏻) pour visualiser la valeur du réglage actuellement sélectionné.
5. Appuyer sur **PRÉCÉDENT</SUIVANT>** pour modifier la valeur, puis appuyer sur **DÉPART/Pause** (⏻) pour enregistrer la nouvelle valeur et revenir au menu principal.
6. Pour changer un autre réglage, répéter les points 4 à 5.
7. Appuyer sur **MARCHE-ARRÊT** (⏻), ou attendre 30 secondes pour quitter le menu.

Niveau	°dH Degrés allemand	°fH Degrés français	°Clark Degrés anglais
1 (très douce)	0 - 6	0 - 10	0 - 7
2 (moyenne)	7 - 11	11 - 20	8 - 14
3 (douce)	12 - 16	21 - 29	15 - 20
4 (dure)	17 - 34	30 - 60	21 - 42
5 (très dure)	35 - 50	61 - 90	43 - 62

Utilisez seulement le sel spécialement conçu pour les lave-vaisselle. Lorsque le sel est versé dans l'appareil, le voyant **AJOUTER DU SEL** s'éteint. **Si le contenant de sel n'est pas rempli, l'adoucisseur et l'élément chauffant peuvent être endommagés à cause de l'accumulation de calcaire.** **L'utilisation de sel est recommandée avec n'importe quel type de lessive pour lave-vaisselle.**

SYSTÈME ADOUCISSEUR D'EAU

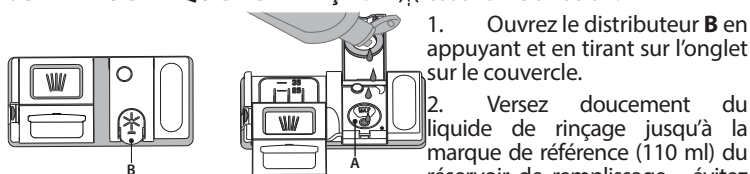
L'adoucisseur d'eau réduit automatiquement la dureté de l'eau, en empêchant ainsi la formation de calcaire sur la résistance, et en contribuant également à une meilleure performance de nettoyage. **Ce système se régénère avec du sel, il est donc nécessaire de remplir le bac de sel lorsqu'il est vide.**

La fréquence de régénération dépend du réglage du niveau de dureté de l'eau - la régénération a lieu une fois tous les **4-6** cycles Eco avec un niveau de dureté de l'eau réglé à **3**. Le processus de régénération a lieu en fin de cycle pendant que le lave-vaisselle est à l'arrêt. Au début de cycle suivant, le rinçage des résines permet d'évacuer tout le calcaire précipité et le saumure résiduel.

- Une régénération simple consomme : ~3 L d'eau ;
- Prend jusqu'à 5 minutes supplémentaires pour le cycle ;
- Consomme moins de 0,005 kWh d'énergie.

REMPLEIR LE DISTRIBUTEUR DE LIQUIDE DE RINÇAGE

Le liquide de rinçage permet à la vaisselle de **SÉCHER** plus facilement. Le distributeur de liquide de rinçage **A** devrait être rempli lorsque le **voyant de NIVEAU DE LIQUIDE DE RINÇAGE** (⚡) est allumé à l'écran.



1. Ouvrez le distributeur **B** en appuyant et en tirant sur l'onglet sur le couvercle.
2. Versez doucement du liquide de rinçage jusqu'à la marque de référence (110 ml) du réservoir de remplissage - évitez les débordements. Si cela se produit, nettoyez les dégâts immédiatement avec un linge sec.

3. Appuyez sur le bouchon pour le fermer; un clic se fait entendre. **Ne JAMAIS verser le liquide de rinçage directement dans la cuve.**

Ajuster le dosage du liquide de rinçage

Si vous n'êtes pas complètement satisfait avec le séchage, vous pouvez ajuster la quantité de liquide de rinçage utilisée. Pour changer, suivre les instructions dans la section « **MENU DE RÉGLAGE** ». Si le niveau de liquide de rinçage est à **ZÉRO**, il n'y aura pas de liquide de rinçage distribué. Dans ce cas, le **voyant LIQUIDE DE RINÇAGE BAS** ne s'allumera pas s'il ne reste plus de liquide de rinçage. Un maximum de **6** niveaux peuvent être réglés selon le modèle du lave-vaisselle.

- Si vous observez des traces bleuâtres sur la vaisselle, placez sur un niveau plus bas (1-2).
- Si vous observez des gouttelettes d'eau ou des traces de calcaire sur la vaisselle, placez sur un niveau plus haut (4-5).

LETTRE	RÉGLAGE	VALEURS (Par défaut - en gras)
h	Niveau de dureté de l'eau (voir « RÉGLER LA DURETÉ DE L'EAU » et « TABLEAU DE DURETÉ DE L'EAU »)	1 2 3 4 5
l	Niveau de liquide de rinçage (voir « AJUSTER LE DOSAGE DU LIQUIDE DE RINÇAGE »)	0 1 2 3 4 5
o	NaturalDry (voir « OPTIONS ET FONCTIONS ») "1" = Oui, "0" = Non	1 0
l	Éclairage au sol (voir « OPTIONS ET FONCTIONS ») "1" = Oui, "0" = Non	1 0
o	Sonnerie "1" = Oui, "0" = Non	1 0
-	Réglages d'usine Appuyer sur DÉPART/Pause pour rétablir aux réglages par défaut d'usine toutes les valeurs des réglages incluses dans le menu Réglages.	-

REMPLEIR LE RÉSERVOIR DE SEL RÉGÉNÉRANT

L'utilisation de sel régénérant empêche la formation de CALCAIRE sur la vaisselle et sur les composantes fonctionnelles de l'appareil. Le réservoir de sel est situé dans la partie inférieure du lave-vaisselle (sous le panier inférieur sur le côté gauche).

Le réservoir de sel est situé dans la partie inférieure du lave-vaisselle (sous le panier inférieur sur le côté gauche).

- Le réservoir de sel **NE DOIT JAMAIS ÊTRE VIDE**.
- Il est important de régler la dureté de l'eau.
- Il convient de faire l'appoint de sel lorsque le **voyant REMPLISSAGE SEL** (⚡) est allumé sur le panneau de commande.

1. Enlevez le panier inférieur et dévissez le bouchon du réservoir (sens antihoraire).
2. Placez l'entonnoir (voir figure) et remplissez le réservoir de sel jusqu'au bord (environ 0,5 kg); il est normal qu'un peu d'eau déborde.
3. **La première fois uniquement, vous devez effectuer l'opération suivante: remplissez d'eau le réservoir à sel.**

4. Enlevez l'entonnoir et essuyez les résidus de sel autour de l'ouverture. Assurez-vous que le bouchon est bien serré pour éviter que du détergent pénètre dans le réservoir durant le cycle de lavage (le réservoir pourrait s'endommager au point de ne plus être réparable).

Exécuter un programme dès que vous complétez le remplissage du réservoir de sel afin d'éviter la corrosion.

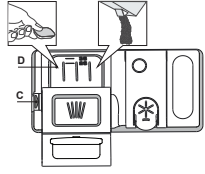
Régler la dureté de l'eau

Pour que l'adoucisseur d'eau fonctionne à la perfection, il est important de régler la dureté de l'eau aux conditions existantes dans votre lieu de résidence. Cette information peut être obtenue de votre fournisseur d'eau local. L'usine règle la valeur par défaut de la dureté de l'eau. Le réglage d'usine est de « **3** ». Voir « **TABLEAU DE DURETÉ DE L'EAU** ».

Pour changer, suivez les instructions de la section « **MENU DE RÉGLAGE** ».

REPLIR LE DISTRIBUTEUR DE DÉTERGENT

Pour ouvrir le distributeur de détergent, utilisez le dispositif d'ouverture C. Insérez le détergent dans le distributeur sec D seulement. Placez la quantité de détergent pour le pré-lavage directement dans la cuve.



1. Lorsque vous dosez le détergent, consultez les informations mentionnées précédemment pour ajuster la quantité correcte. À l'intérieur du distributeur D se trouvent des indications pour aider au dosage de la lessive.
2. Enlevez les résidus de détergent sur le bord des récipients avant de fermer le couvercle; un clic se fait entendre.
3. Fermez le couvercle du distributeur de détergent en le tirant vers le haut jusqu'à ce que le dispositif soit fermement en place.

UTILISATION QUOTIDIENNE**1. VÉRIFIER LE BRANCHEMENT DE L'EAU**

Assurez-vous que l'appareil est raccordé à un réseau d'alimentation et que le robinet de l'eau est ouvert.

2. ALLUMER LE LAVE-VAISSELLE

Ouvrez la porte et appuyez sur la touche **MARCHE-ARRÊT**.

3. CHARGER LES PANIERS (voir *CHARGEMENT DES PANIERS*).**4. REPLIR LE DISTRIBUTEUR DE DÉTERGENT****5. CHOISIR LE PROGRAMME ET PERSONNALISER LE CYCLE**

Sélectionnez le meilleur programme selon le type de vaisselle et le niveau de saleté (voir *DESCRIPTION DES PROGRAMMES*) en appuyant sur la touche **PRÉCÉDENT/SUIVANT** sélectionnée.

Sélectionnez les options désirées (voir *OPTIONS ET FONCTIONS*). Toutes les options ne sont pas compatibles avec tous les programmes.

6. DÉMARRER

Démarrez le cycle de lavage et appuyez sur la touche **DÉPART/Pause** (le voyant est allumé) et en fermant la porte dans les 4 secondes. Quand le programme démarre, vous entendez un bip simple. Si la porte n'a pas été fermée dans les 4 secondes, le signal d'alarme est activé. Dans ce cas, ouvrez la porte, appuyez sur la touche **DÉPART/Pause** et fermez de nouveau la porte dans les 4 sec.

7. FIN DU CYCLE DE LAVAGE

La fin du programme de lavage est indiquée par un son et l'écran affiche **END (FIN)**. Ouvrez la porte et éteignez l'appareil en appuyant sur la touche **MARCHE-ARRÊT**.

Pour éviter de vous brûler, attendez quelques minutes avant de retirer la vaisselle. Déchargez les paniers en commençant par le panier inférieur.

Le distributeur de détergent s'ouvre automatiquement, au moment déterminé par le programme.

L'utilisation d'un détergent non-conçu pour les lave-vaisselle peut provoquer un dysfonctionnement ou des dommages à l'appareil.

MODIFICATION D'UN PROGRAMME EN COURS

Si vous avez sélectionné le mauvais programme, vous pouvez le changer, à condition que ce soit fait au tout début du cycle. Pour cela, effectuez une **RÉINITIALISATION** de la machine: appuyez sur la touche **MARCHE-ARRÊT** et maintenez-la appuyée pendant plus de 3 secondes, et la machine s'éteindra. **Le tableau de commande affichera « 0:01 »**. Fermez la porte et attendez la fin du cycle de vidange (environ 1 minute). Ouvrez la porte et rallumez la machine en utilisant le bouton **MARCHE-ARRÊT** et sélectionnez le nouveau programme de lavage et les éventuelles options souhaitées. Démarrer le cycle en appuyant sur la touche **DÉPART/Pause** et en fermant la porte dans les 4 secondes.

AJOUT DE VAISSELLE SUPPLÉMENTAIRE

Sans couper la machine, ouvrez la porte tout d'abord légèrement pour éviter que l'eau n'éclabousse (Le voyant **DÉPART/Pause** commence à clignoter) **Attention: Vapeur chaude**. Placer la vaisselle dans le lave-vaisselle. Appuyez sur la touche **DÉPART/Pause** et fermez la porte dans les 4 sec, le cycle reprendra à l'endroit où il a été interrompu.

INTERRUPTIONS ACCIDENTELLES

Si la porte est ouverte durant le cycle de lavage, ou s'il y a une panne de courant, le cycle s'interrompt. Fermez la porte et le cycle reprendra au moment où il a été interrompu **UNIQUEMENT SI VOUS APPUYEZ** sur la touche **DÉPART/Pause** et fermer la porte dans les 4 secondes.

AVIS ET CONSEILS**CONSEILS**

Avant de charger les paniers, enlevez tous les résidus de nourriture sur la vaisselle et videz les verres. **Vous n'avez pas besoin de rincer la vaisselle avant de la placer dans le lave-vaisselle.**

Placez la vaisselle pour qu'elle tienne bien en place et ne risque pas de tomber; et placez les récipients avec les ouvertures vers le bas et les parties concaves/convexes de côté pour permettre à l'eau d'atteindre toutes les surfaces et couler librement.

Avertissement: Vérifiez que les couvercles, poignées et poêle à frire n'empêchent pas les bras d'aspersion de tourner librement. Placez les petits articles dans le panier à couvert. La vaisselle et les casseroles très sales devraient être placées sur le panier inférieur car les jets d'eau sont plus forts dans cette section et permet un meilleur rendement lors du lavage. Après avoir chargé l'appareil, assurez-vous que les bras d'aspersion peuvent bouger librement.

VAISSELLE QUI NE CONVIENT PAS

- Vaisselle et couverts en bois.
- Verres décoratifs délicats, produits artisanaux, et vaisselle antique. Les garnitures ne sont pas résistantes.
- Les pièces en matériel synthétique qui ne supportent pas les hautes températures.
- La vaisselle en cuivre ou en étain.
- La vaisselle tachée de cendre, de cire, de graisse lubrifiante, ou d'encre. Les couleurs des garnitures de verre et des pièces d'aluminium/argent peuvent changer et ternir durant le cycle de lavage. Certains types de verre (p. ex. les objets en cristal) peuvent aussi devenir opaque après plusieurs cycles de lavage.

VERRES ET VAISSELLE ENDOMMAGÉS

- Seulement utiliser des verres ou de la porcelaine qui sont lavables au lave-vaisselle conformément aux recommandations du fabricant.
- Utilisez un détergent doux, adéquat pour la vaisselle.
- Retirez les verres et les couverts du lave-vaisselle aussitôt que le cycle de lavage est terminé.

ASTUCES SUR L'ÉCONOMIE D'ÉNERGIE

- Lorsque le lave-vaisselle domestique est utilisé conformément aux instructions du fabricant, **le lavage de la vaisselle dans un lave-vaisselle consomme habituellement MOINS D'ÉNERGIE et d'eau que le lavage à la main.**
- Afin d'optimiser l'efficacité du lave-vaisselle, il est recommandé de **débuter le cycle de lavage une fois que le lave-vaisselle est totalement chargé**. Le chargement du lave-vaisselle domestique jusqu'à la capacité indiquée par le fabricant contribuera à économiser de l'énergie et de l'eau. Vous trouverez des informations sur le chargement correct de la vaisselle dans le chapitre *CHARGEMENT DES PANIERS*. En cas de chargement partiel, il est recommandé d'utiliser des options de lavage spécifiques si elles sont disponibles (Demi-charge / Zone Wash/ Multizone), en remplissant uniquement les paniers sélectionnés. Un chargement incorrect ou une surcharge du lave-vaisselle peut augmenter l'utilisation des ressources (telles que l'eau, l'énergie et le temps, et augmenter le niveau de bruit), en réduisant les performances de nettoyage et de séchage.
- Un pré-rinçage manuel des éléments de vaisselle provoque une augmentation de la consommation d'eau et d'énergie et n'est pas recommandé.

HYGIÈNE

Pour éviter les odeurs et les dépôts qui pourraient s'accumuler dans le lave-vaisselle, **lancer le programme Autonettoyant** (sans vaisselle à l'intérieur) **au moins une fois par mois** (cf. rubrique *OPTIONS ET FONCTIONS*).

RÉSISTANCE AU GEL

Si l'appareil est installé dans une pièce exposée au risque de gel, **vidangez-le complètement**. Fermez la valve d'eau, retirez les tuyaux d'arrivée et de vidange, puis laissez l'eau s'écouler. **Assurez-vous que l'adoucisseur d'eau est plein de sel régénérant dissous dans le réservoir de sel**, pour protéger l'appareil des températures pouvant aller jusqu'à -20°C. Si l'appareil a été conservé dans des conditions de gel, il doit rester à une température ambiante de 5°C minimum pendant **au moins 24 heures** avant la première utilisation.

TABLEAU DES PROGRAMMES

Programme	Description des programmes	Séchage	NaturalDry	Options disponibles *)	Durée du programme de lavage (h:min sm)	Consommation d'eau (l/cycle)	Consommation d'énergie (kWh/cycle)
P1 Eco	Éco 50° - Le programme Eco est adapté pour nettoyer la vaisselle normalement sale. Pour cette utilisation, c'est le programme qui a une consommation d'eau et d'énergie la plus optimale. Il est utilisé pour évaluer la conformité à la législation européenne en matière d'éco-conception.	✓	✓	POWER CLEAN 1/2 + ↻	3:30	9,5	0,75
P2	Intensif Auto 65° - Programme automatique pour la vaisselle et les casseroles très sales.	✓	✓	POWER CLEAN 1/2 + ↻	2:25-3:10	15,5-24,5	1,30-1,70
P3	Mixte Auto 55° - Programme automatique pour de la vaisselle normalement sale avec des résidus d'aliments séchés.	✓	✓	POWER CLEAN 1/2 + ↻	1:20-3:00	7,5-19,5	0,75-1,20
P4	Rapide Auto 50° - Programme automatique pour de la vaisselle normalement et légèrement sale. Le cycle quotidien qui assure un nettoyage optimal et des performances de séchage en moins de temps.	✓	✓	POWER CLEAN 1/2 + ↻	1:00-1:50	7,5-15,5	0,70-1,10
P5	Rapide 45° - Ce programme est recommandé pour une quantité limitée de vaisselle légèrement sale sans résidus d'aliments séchés. N'inclut pas de phase de séchage.	-	✓	1/2 + ↻	0:30-0:40	10-12	0,55-0,65
P6	Cristal 45° - Programme pour la vaisselle délicate, plus sensible aux températures élevées, comme les verres et les tasses.	✓	✓	1/2 + ↻	1:40-1:50	12,5-16,5	0,95-1,20
P7	Silencieux 55° - Adéquat lorsque l'appareil fonctionne la nuit. Assure un nettoyage et des performances de séchage optimaux avec les plus faibles émissions de bruit.	✓	✓	+ ↻	3:50-4:10	10,5-14,5	0,80-1,15
P8	Antibactérien 65° - Vaisselle sale ou très sale, avec lavage antibactérien supplémentaire. Peut être utilisé pour effectuer l'entretien du lave-vaisselle.	✓	-	POWER CLEAN 1/2 + ↻	1:55-2:10	12-19	1,40-1,80
P9	Prélavage - Utilisez ce programme pour rafraîchir la vaisselle qui sera lavée plus tard. N'utilisez pas de détergent avec ce programme.	-	✓	1/2 ↻	0:12	4,5	0,10
P10	Autonettoyant 65° - Programme à utiliser pour effectuer l'entretien du lave-vaisselle, à réaliser uniquement lorsque le lave-vaisselle est VIDE en utilisant des détergents spécifiques conçus pour l'entretien du lave-vaisselle.	-	-	↻	1:15	11,0	1,10

Les données du programme Éco sont mesurées sous des conditions en laboratoire conformément à la norme européenne EN 60436:2020. Note pour les laboratoires d'essai : pour toutes informations sur les conditions d'essai comparatif EN, s'adresser à : dw_test_support@whirlpool.com. Aucun prétraitement de la vaisselle n'est nécessaire avant l'un quelconque des programmes.

*) Les options ne peuvent pas toutes être utilisées en même temps.

**) Les valeurs indiquées pour des programmes différents du programme Éco sont fournies à titre indicatif uniquement. Le temps réel peut varier selon des facteurs comme la température et la pression de l'eau, la température de la pièce, la quantité de détergent, la quantité et le type de vaisselle, l'équilibre de la charge, les options supplémentaires sélectionnées, et la calibration du capteur. La calibration du capteur peut augmenter la durée du programme jusqu'à 20 minutes.

OPTIONS ET FONCTIONS

Les **OPTIONS** peuvent être sélectionnées/désélectionnées, après avoir choisi le programme, directement en appuyant sur la touche correspondante (si disponibles - les témoins s'allument) (voir le PANNEAU DE COMMANDE). Si une option n'est pas compatible avec le programme sélectionné (voir TABLEAU DES PROGRAMMES), le voyant correspondant clignote 3 fois et un bip se fait entendre. La fonction n'est pas activée. Une option peut changer le temps ou la consommation d'eau ou d'énergie du programme.

POWER CLEAN® - Grâce aux jets haute pression supplémentaires, cette option fournit un lavage plus intensif et puissant dans le panier inférieur, dans la zone spécifique. Elle est recommandée pour le lavage des poêles et des casseroles (Voir la section de chargement Power Clean®).

DEMI-CHARGE - S'il n'y a pas trop de vaisselle à laver, une option DEMI-CHARGE est utilisée pour économiser de l'eau, de l'électricité et du temps en fonction du programme choisi.

Rappelez-vous de diminuer de moitié la quantité de détergent.

EXTRA SEC - Une température supérieure pendant le rinçage final et une phase de séchage prolongée permettent un séchage amélioré. L'option EXTRA SEC prolonge le cycle de lavage.

DÉPART DIFFÉRÉ - Le début du programme peut être différé entre 30 minutes et 24 heures.

- Sélectionnez le programme et les options souhaités. Appuyez sur la touche DÉPART DIFFÉRÉ (plusieurs fois) pour retarder le début du programme. Réglable de 0:30 à 24 heures. Une fois que le réglage de 24 heures est atteint, appuyer encore une fois sur DÉPART DIFFÉRÉ pour désactiver la fonction DÉPART DIFFÉRÉ.
- Appuyez sur la touche DÉPART/Pause et fermez la porte dans un délai de 4 sec.: la minuterie commence le compte à rebours.
- Une fois le temps écoulé, le voyant s'éteint et le programme démarre automatiquement.

La fonction DÉPART DIFFÉRÉ ne peut pas être modifiée lorsque le programme est en cours.

DÉTECTION - Lorsque le capteur détecte le niveau de saleté, une animation apparaît sur l'écran (environ 20 min.) et la durée du cycle est mise à jour. La DÉTECTION est destinée au niveau de saleté de la vaisselle et elle est présente pour tous les cycles de lavage (excepté Eco) en ajustant le programme en conséquence.

ÉCLAIRAGE AU SOL - Un voyant LED projeté sur le sol indique que le lave-vaisselle fonctionne. Le voyant s'éteint à la fin d'un cycle. Cette fonction est active par défaut, mais il est possible de la désactiver dans le « MENU DE RÉGLAGE ».

NaturalDry - C'est un système de séchage à convection qui ouvre automatiquement la porte pendant/après la phase de séchage pour assurer une performance de séchage exceptionnelle chaque jour. La porte s'ouvre à la température qui est sûre pour les meubles de votre cuisine. A titre de protection supplémentaire contre la vapeur, un adhésif anti-vapeur spécifiquement conçu est livré avec le lave-vaisselle. Pour voir comment poser cet adhésif, consulter le GUIDE D'INSTALLATION. Cette fonction est active par défaut, mais il est possible de la désactiver dans le « MENU DE RÉGLAGE ».

DÉTARTRAGE - Alerte - Une accumulation de tartre a été détectée sur des composants internes de l'appareil. Vérifier si le **Réglage de Dureté** de l'eau est à la valeur correcte et si **du sel est présent dans le réservoir de sel** (voir PREMIÈRE UTILISATION), puis **utiliser un produit détartrant** (la marque WPro est recommandée) avec le **programme Autonettoyant**. Après un détartrage réussi, l'icône s'éteindra. Si les actions ci-dessus ne sont pas réalisées, les performances du produit se détérioreront. Un avertissement de « Détartrage » commencera à clignoter et une alarme « **DES** » apparaîtra sur l'écran. Si aucune action n'est entreprise, l'appareil pourra encore effectuer quelques cycles de lavage (nombre indiqué pendant l'affichage de l'alarme « **DES** ») puis il sera **BLOQUÉ** pour éviter les dommages aux composants, avec seulement le **programme Autonettoyant disponible**. La réalisation d'un détartrage complet déblocquera le produit. En cas de quantités très importantes de tartre, il est possible de devoir lancer deux fois successivement le programme Autonettoyant pour que le détartrage soit efficace.

PROGRAMME FAVORI - Le programme favori peut être enregistré et sera facilement accessible. Trouver le programme en utilisant **PRÉCÉDENT/SUIVANT**, puis appuyer sur la touche de PROGRAMME FAVORI pendant 3 secondes.

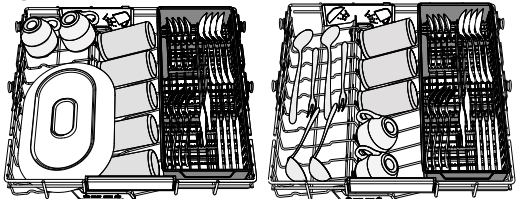
ROBINET D'EAU FERMÉ - Alarme
Clignote lorsqu'il n'y a pas d'arrivée d'eau ou que le robinet d'eau est fermé.

CHARGEMENT DES PANIERS

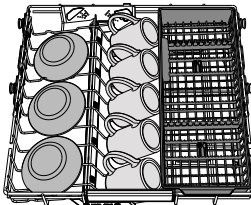
CAPACITÉ : 14 couverts standards

PANIER LE PLUS HAUT

Le panier le plus haut fournit une Zone de Lavage à nettoyage ciblé pour les bols, les mugs, même les grands plats et les couverts que vous chargeriez normalement dans les paniers inférieurs, ce qui donne plus de place pour le reste de la vaisselle quotidienne. Séparer les couverts facilite le rangement après le cycle de lavage et améliore les programmes de lavage et de séchage.

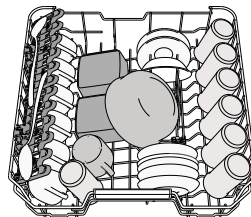


Les couteaux et autres ustensiles avec des bords tranchants doivent être placés dans le panier à couvert avec la pointe vers le bas.



PANIER SUPÉRIEUR

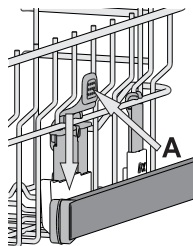
Chargez la vaisselle délicate et légère: verres, tasses, soucoupes, saladiers bas. Le panier supérieur comprend des supports rabattables qui peuvent être utilisés dans une position verticale lorsque vous placez les assiettes à thé ou à dessert, ou abaissée pour charger les bols et autres récipients.



(exemple de chargement du panier supérieur)

Ajuster la hauteur du panier supérieur

Vous pouvez ajuster la hauteur du panier supérieur: position élevée pour placer la vaisselle encombrante sur le panier inférieur et éviter les chocs avec le panier supérieur; en créant plus d'espace en hauteur. Le panier supérieur comprend un **dispositif de réglage de la hauteur** (voir figure). Sans appuyer sur les leviers, soulevez simplement le panier supérieur en le tenant par les côtés jusqu'à ce qu'il soit stable en position élevée. Pour abaisser le panier, appuyez sur les leviers **A** sur les côtés du panier et déplacez-le vers le bas.



Nous vous conseillons fortement de ne pas ajuster la hauteur du panier lorsqu'il est chargé.

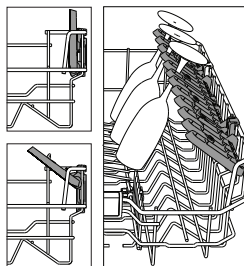
Ne JAMAIS soulever ou abaisser un seul côté du panier.

Volets pliables avec positions ajustables

Les volets pliables latéraux peuvent être pliés ou dépliés afin d'optimiser la disposition de la vaisselle à l'intérieur du panier. Les verres de vin peuvent être placés de façon sécuritaire dans les volets pliables en insérant le pied de chaque verre dans la fente correspondante.

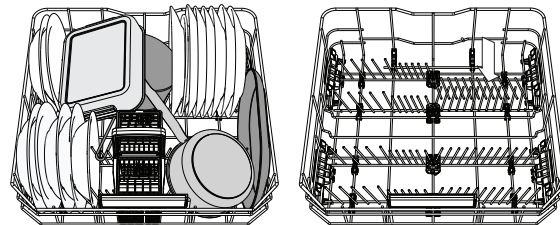
Selon le modèle :

- pour déplier les volets, il est nécessaire de les coulisser vers le haut et de les tourner ou de les libérer des fixations et de les tirer vers le bas.
- pour replier les volets, il est nécessaire de les tourner et de les faire coulisser vers le bas ou de les tirer vers le haut et de les accrocher aux fixations.



PANIER INFÉRIEUR

Pour les poêles, les couvercles, les plats, les saladiers, les couverts, etc. Les grands plats et les grands couvercles devraient être placés sur le côté pour éviter qu'ils n'entravent le fonctionnement des bras d'aspersion. Le panier inférieur comprend des supports rabattables qui peuvent être placés en position verticale pour charger des assiettes, ou en position horizontale (bas) pour faciliter le chargement des casseroles et des saladiers.



(exemple de chargement du panier inférieur)

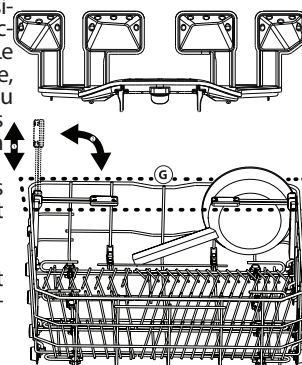
POWER CLEAN®

Power Clean® utilise des jets d'eau spéciaux, situés à l'arrière de la cavité, pour laver les articles très sales avec une intensité plus élevée. Le panier inférieur comprend une zone d'espace, un support spécial qui se trouve à l'arrière du panier, qui peut être utilisé pour supporter les poêles à frire et les moules dans une position verticale, prenant ainsi moins de place. Placer les poêles et les casseroles face aux jets Power Clean® situés à l'arrière de la cuve et activez **POWER CLEAN®** sur le bandeau.

Comment utiliser Power Clean®.

1. Réglez la zone Power Clean® (G) en rabattant les supports pour assiettes arrières pour charger des casseroles.
2. Chargez les grands plats et les casseroles en les inclinant à la verticale dans la zone Power Clean®.

Les casseroles doivent être inclinées dans la direction des jets d'eau haute pression.

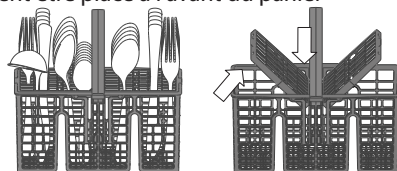


Panier à couvert

Il comprend des grilles supérieures pour placer les couverts plus facilement.

Le panier à couvert doit uniquement être placé à l'avant du panier inférieur.

Les couteaux et autres ustensiles avec des bords tranchants doivent être placés dans le panier à couvert avec la pointe vers le bas, ou placés à l'horizontale dans le compartiment rabattable sur le panier supérieur.



NETTOYAGE ET ENTRETIEN

NETTOYER L'ENSEMBLE FILTRE

Nettoyez régulièrement l'ensemble filtre pour éviter qu'il ne se bouche et pour permettre aux eaux usées de bien s'éliminer.

L'utilisation du lave-vaisselle avec des filtres obstrués ou des corps étrangers à l'intérieur du système de filtration ou des bras de lavage peut provoquer un dysfonctionnement du lave-vaisselle en réduisant l'efficacité de lavage, en augmentant le bruit de fonctionnement et la consommation d'électricité.

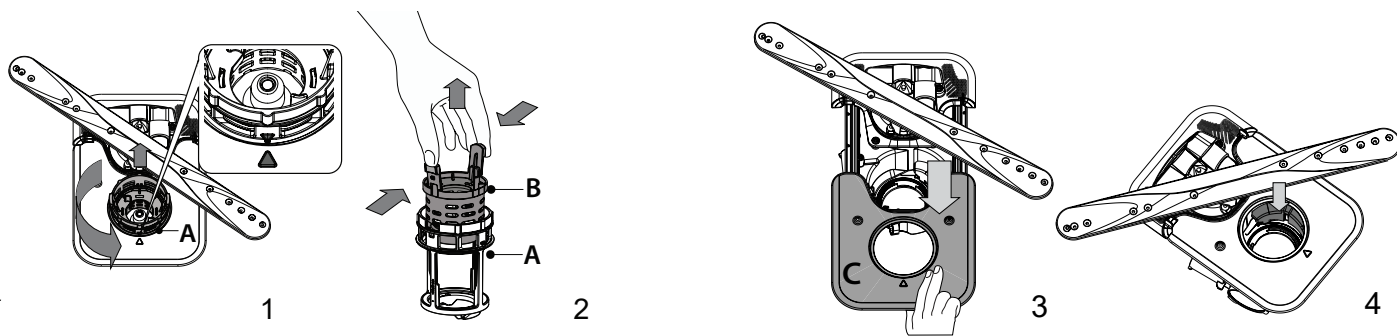
L'ensemble filtre comprend trois filtres qui séparent les résidus de nourriture de l'eau de lavage pour ensuite faire circuler l'eau.

N'utilisez pas le lave-vaisselle sans les filtres ou si un filtre est mal ajusté.

Au moins une fois par mois ou tous les 30 cycles, vérifiez l'assemblage du filtre et si nécessaire, nettoyez-le minutieusement sous l'eau courante, en utilisant une brosse non-métallique et en suivant les instructions ci-dessous:

1. Tournez le filtre cylindrique **A** dans le sens antihoraire et retirez-le (Fig. 1). **Il est important lors de la réinstallation du filtre que les deux triangles indiqués sur le zoom (Fig. 1) correspondent.**
2. Enlevez le panier du filtre **B** en appliquant une légère pression sur les volets latéraux (Fig. 2).
3. Retirez la plaque du filtre en acier inoxydable **C** (Fig. 3).
4. Si vous trouvez des objets étrangers (comme du verre brisé, de la porcelaine, des os, des pépins de fruits, etc), enlevez-les minutieusement.
5. Inspecter la cavité et enlever les résidus de nourriture. **NE JAMAIS ENLEVER** la protection de la pompe du cycle de lavage (indiqué par la flèche) (Fig 4).

Après avoir nettoyé les filtres, assemblez de nouveau l'ensemble filtre et remettez-le en place correctement; c'est très important pour que le lave-vaisselle garde son efficacité.



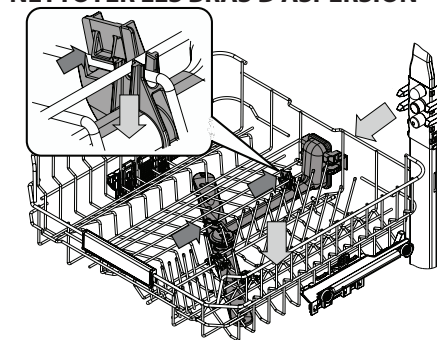
NETTOYER LES BRAS D'ASPERSION

À l'occasion, des résidus de nourriture s'incrustent dans les bras d'aspersion et bloquent les trous utilisés pour asperger de l'eau. Il est donc conseillé de vérifier les bras de temps en temps et de les nettoyer avec une petite brosse non métallique.

Pour démonter le bras d'aspersion intermédiaire, il faut déclipser l'ensemble collecteur d'eau situé sous le panier supérieur.

Le bras d'aspersion inférieur se démonte en le tirant vers le haut, tout en le tournant dans le sens inverse des aiguilles d'une montre. Pour remonter le bras d'aspersion inférieur, il faut le pousser vers le bas tout en le tournant dans le sens des aiguilles d'une montre.

Le bras d'aspersion supérieur se démonte en le tirant vers le bas, tout en le tournant dans le sens inverse des aiguilles d'une montre. Pour remonter le bras d'aspersion supérieur, il faut le pousser vers le haut tout en le tournant dans le sens des aiguilles d'une montre.



Le panier le plus haut dispose d'un tube de lavage fixe avec toutes les buses de lavage orientées vers le haut. Pour le nettoyer, vous pouvez faire coulisser le panier vers l'extérieur et avec une pince, enlever les éléments qui peuvent s'être logés dans les buses.

DÉPANNAGE

Si votre lave-vaisselle ne fonctionne pas correctement, vérifiez si le problème peut être résolu en suivant la liste ci-après. Pour d'autres erreurs ou problèmes, contactez le Service après-vente agréé dont les coordonnées peuvent être trouvées dans le livret de garantie. Les pièces de rechange seront disponibles pour une période allant jusqu'à 7 ou jusqu'à 10 ans, selon les exigences spécifiques du règlement.

PROBLÈMES	CAUSES POSSIBLES	SOLUTIONS
L'indicateur de sel est allumé	Le réservoir de sel est presque vide.	Remplissez le réservoir de sel régénérant (voir REPLIR LE RÉSERVOIR DE SEL). Réglez la dureté de l'eau (voir TABLEAU DE DURETÉ DE L'EAU).
Le voyant de niveau de sel clignote	Le réservoir de sel est vide.	Remplissez le réservoir avec du sel dès que possible. L'utilisation de l'appareil sans sel peut provoquer des dommages à ses composants internes.
Le voyant de liquide de rinçage est allumé ou clignote	Le distributeur de liquide de rinçage est vide. (Après le remplissage, il est possible que le voyant du liquide rinçage reste allumé pendant un certain temps).	Remplissez le distributeur avec du liquide de rinçage (voir REPLIR LE DISTRIBUTEUR DE LIQUIDE DE RINÇAGE).
Le voyant de détartrage est allumé ou clignote; L'alarme « DES » s'affiche.	Du calcaire s'accumule sur les composants internes de l'appareil.	Détartrez l'appareil immédiatement en utilisant le programme Autonettoyant et un produit détartrant disponible dans le commerce (voir OPTIONS ET FONCTIONS). Remplissez le réservoir avec du sel. Vérifiez le réglage de la dureté de l'eau. Si l'appareil n'est pas détartré, il arrêtera de fonctionner.
Le lave-vaisselle ou les commandes ne fonctionnent pas.	L'appareil n'est pas bien branché.	Insérez la fiche dans la prise de courant.
	Panne de courant.	Pour des raisons de sécurité, le lave-vaisselle ne redémarrera pas automatiquement lors du rétablissement du courant. Ouvrez la porte du lave-vaisselle, appuyez sur le touche DÉPART/Pause, et fermez la porte dans les 4 secondes.
	La porte du lave-vaisselle n'est pas fermée. La tige du système NaturalDry n'est pas rentrée.	Poussez vigoureusement la porte pour entendre le « clic ».
	Un cycle est interrompu en cas d'ouverture de la porte pendant plus de 4 secondes.	Appuyez sur DÉPART/Pause et fermez la porte dans les 4 secondes.
Le lave-vaisselle ne se vidange pas. L'afficheur indique: F7 E3 ou F9 E1	Le panneau de commande ne répond pas ou le message F6 E1 est affiché.	Éteignez l'appareil en appuyant sur la touche MARCHE-ARRÊT/Réinitialisation, rallumez-le environ une minute après, et redémarrez le programme. Si le problème persiste, débranchez l'appareil pendant 1 minute, puis rebranchez-le.
	Le filtre est bouché par des résidus de nourriture ou du calcaire.	Nettoyez le filtre et détartrez l'appareil (voir NETTOYER L'ENSEMBLE FILTRE et INSTRUCTION POUR LE DÉTARTRAGE).
	Le tuyau de vidange est plié.	Vérifiez le tuyau de vidange (voir INSTRUCTIONS D'INSTALLATION).
Le lave-vaisselle fait beaucoup de bruit.	Le conduit de vidange de l'évier est bouché.	Nettoyez le conduit de vidange de l'évier.
	La vaisselle s'entrechoque.	Remplacez la vaisselle correctement (voir CHARGEMENT DES PANIERS).
	Une quantité de mousse excessive est présente.	Le détergent a été mal mesuré ou il n'est pas adéquat pour les lave-vaisselle (voir REPLISSAGE DU DISTRIBUTEUR DE DÉTERGENT). Relancez le cycle en cours en éteignant le lave-vaisselle, puis en le rallumant, sélectionnez un nouveau programme, appuyez sur MARCHE-ARRÊT et fermez la porte dans les 4 secondes. Merci de ne pas ajouter de détergent.
	La vaisselle n'a pas été bien rangée.	Remplacez la vaisselle correctement (voir CHARGEMENT DES PANIERS).
	Le filtre est bouché par des résidus de nourriture ou du calcaire.	Nettoyez l'ensemble de filtre (voir NETTOYAGE ET ENTRETIEN).

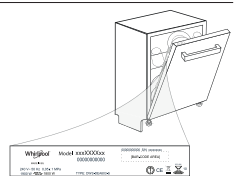
PROBLÈMES	CAUSES POSSIBLES	SOLUTIONS
La vaisselle n'est pas propre.	La vaisselle n'a pas été bien rangée.	Remplacez la vaisselle correctement (voir <i>CHARGEMENT DES PANIERS</i>).
	Les bras d'aspersion ne tournent pas librement, ils sont gênés par la vaisselle.	Remplacez la vaisselle correctement (voir <i>CHARGEMENT DES PANIERS</i>). Vérifiez que le panier supérieur est dans la position correcte et ajuster le (lever) si nécessaire.
	Le cycle de lavage n'est pas assez intensif.	Sélectionnez le cycle de lavage approprié (voir <i>TABLEAU DES PROGRAMMES</i>).
	Une quantité de mousse excessive est présente.	Le détergent a été mal mesuré ou il n'est pas adéquat pour les lave-vaisselle (voir <i>REEMPLIR LE DISTRIBUTEUR DE DÉTERGENT</i>).
	Le bouchon du compartiment de liquide de rinçage n'est pas bien fermé.	Assurez-vous que le bouchon du distributeur de liquide de rinçage est fermé.
	Le filtre est bouché par des résidus de nourriture ou du calcaire.	Nettoyez le filtre et démarrez l'appareil (voir <i>NETTOYER L'ENSEMBLE FILTRE</i>).
	Le réservoir de sel est vide.	Remplir le réservoir de sel (voir <i>REEMPLIR LE RÉSERVOIR DE SEL</i>).
L'eau n'arrive pas au lave-vaisselle. L'afficheur indique : H2O et  est allumé ; une alarme sonore retentit.	L'alimentation d'eau est vide ou le robinet est fermé.	Assurez-vous qu'il y a de l'eau dans le circuit d'alimentation ou que le robinet est ouvert.
	Le tuyau d'arrivée d'eau est plié.	Vérifiez le tuyau d'entrée (voir <i>INSTALLATION</i>). Ouvrez la porte du lave-vaisselle, appuyez sur le touche DÉPART/Pause, et fermez la porte dans les 4 secondes.
	Le tamis dans le tuyau d'arrivée d'eau est obstrué ; vous devez le nettoyer.	Vérifiez et nettoyez le tamis dans le tuyau d'entrée d'eau. Ouvrez la porte du lave-vaisselle, appuyez sur le touche DÉPART/Pause, et fermez la porte dans les 4 secondes.
Le lave-vaisselle termine son cycle prématurément. L'afficheur indique : F8 E3 .	Le bouchon du compartiment de liquide de rinçage n'est pas bien fermé.	Nettoyez le filtre et démarrez l'appareil (voir <i>NETTOYER L'ENSEMBLE FILTRE et INSTRUCTION POUR LE DÉTARTRAGE</i>).
	Le tuyau de vidange est positionné trop bas ou se vide dans le système d'évacuation domestique.	Vérifiez que le tuyau de vidange n'est pas trop engagé dans la canalisation murale du réseau d'évacuation des eaux usées (voir <i>INSTALLATION</i>). En cas d'un branchement du tuyau de vidange sur le syphon d'un évier de cuisine, il faut installer un dispositif anti retour pour éviter le risque de siphonnage du lave-vaisselle.
	Une quantité de mousse excessive est présente.	Le détergent a été mal mesuré ou il n'est pas adéquat pour les lave-vaisselle (voir <i>REEMPLIR LE DISTRIBUTEUR DE DÉTERGENT</i>).
	De l'air est présent dans l'alimentation en eau.	Vérifiez si l'alimentation en eau présente des fuites ou d'autres problèmes laissant entrer de l'air.
La vaisselle n'est pas bien séchée.	Il n'y a pas de liquide de rinçage ou le dosage est trop faible.	Assurez-vous que le distributeur de liquide de rinçage est rempli (voir <i>REEMPLIR LE DISTRIBUTEUR DE LIQUIDE DE RINÇAGE</i>). Les tablettes multifonctions ne donnent pas un résultat de séchage aussi bon que l'utilisation effective de liquide de rinçage.
	La vaisselle a été chargée après l'ouverture automatique de la porte mais avant la fin du cycle effectif.	Assurez-vous que le cycle a pris fin avant de commencer à décharger la vaisselle (voir <i>UTILISATION QUOTIDIENNE</i>). Pour des résultats de séchage encore meilleurs, il est recommandé de laisser la vaisselle à l'intérieur du lave-vaisselle avec la porte ouverte pendant 15 minutes supplémentaires après la fin du cycle.
	La vaisselle est positionnée trop à plat.	Si vous constatez des flaques d'eau dans les cavités des tasses, mugs ou bols, essayez de charger la vaisselle (en particulier dans le panier supérieur) de manière plus inclinée pour permettre à l'eau de s'égoutter davantage avant que le séchage ne débute.
	Le cycle sélectionné n'a pas de phase de séchage.	Vérifiez sur le <i>TABLEAU DE PROGRAMMES</i> si le programme sélectionné est équipé dans la phase de séchage. Un cycle sans phase de séchage ne peut pas donner une efficacité de séchage souhaitée, il est donc recommandé de changer la sélection de cycle pour celle qui présente une phase de séchage.
	La vaisselle est anti-adhérente ou en plastique.	Il est normal qu'il reste quelques gouttes d'eau sur ce type de matériau.
La vaisselle et les verres ont des traces bleues ou des teintes bleutées.	Le dosage du liquide de rinçage est excessif.	Ajuster le dosage à une valeur inférieure.
Des traces de calcaire ou un film blanc sont présentes sur la vaisselle et les verres.	Le réservoir à sel est vide.	Remplissez le réservoir avec du sel dès que possible. L'utilisation de l'appareil sans sel peut provoquer des dommages à ses composants internes.
	Le réglage de la dureté de l'eau est trop bas.	Augmenter le réglage (voir <i>TABLEAU DE DURETÉ DE L'EAU</i>).
	Le bouchon du réservoir de sel n'est pas bien fermé.	Vérifiez et fermez le bouchon du réservoir de sel.
	Le réservoir de liquide de rinçage est vide ou le dosage de liquide de rinçage est insuffisant.	Remplissez le distributeur avec du liquide de rinçage et vérifiez le réglage du dosage (pour plus d'informations - voir <i>REEMPLIR LE DISTRIBUTEUR DE LIQUIDE DE RINÇAGE</i>).
Le lave-vaisselle affiche F8 E5	La vanne est bloquée ou défectueuse.	Fermez le robinet d'eau, si possible. Ne coupez pas l'alimentation électrique. Appelez la maintenance.



Vous trouverez les documents normatifs, la documentation standard, le classement des pièces de rechange et des informations supplémentaires sur les produits :

- En utilisant le QR code sur votre produit et visitant notre site web docs.whirlpool.eu
- En visitant notre site web : parts-selfservice.whirlpool.com
- Vous pouvez également **contacter notre Service après-vente** (voir numéro de téléphone dans le livret de garantie). Lorsque vous contactez notre Service après-vente, veuillez indiquer les codes figurant sur la plaque signalétique de l'appareil.

Les informations relatives au modèle peuvent être trouvées en utilisant le QR-Code figurant sur l'étiquette énergétique. L'étiquette comprend également l'identifiant du modèle qui peut être utilisé pour consulter le portail du registre sur le site <https://eprel.ec.europa.eu>.

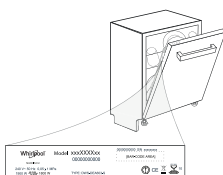


المشكلات	الأسباب المحتملة	الحلول
غسالة الأطباق لا تسحب الماء. يظهر على الشاشة: يضيء H2O و/أو ، تصدر أصوات إنذار.	لا يوجد ماء في مصدر الإمداد بالماء أو الصنبور مغلق. خرطوم سحب الماء ممتلي.	تأكد من وجود ماء في مصدر الإمداد ومن فتح صنبور الماء. افحص خرطوم السحب (انظر التركيب). افتح باب غسالة الأطباق، اضغط على زر التشغيل/الإيقاف المؤقت وأغلق الباب خلال 4 ثوان.
أنهت غسالة الأطباق دورة الغسل قبل اكتمالها. يظهر على الشاشة: F8 E3	المصفاة في خرطوم السحب مسدودة، من الضروري أن يتم تنظيفها.	افحص المصفاة في خرطوم سحب الماء وقم بتنظيفها. افتح باب غسالة الأطباق، اضغط على زر التشغيل/الإيقاف المؤقت وأغلق الباب خلال 4 ثوان.
أعطت غسالة الأطباق دورة الغسل قبل اكتمالها. يظهر على الشاشة: F8 E3	الفلتر مسدود ببقايا الأطعمة ترسبات كلسية. خرطوم التصريف منخفض للغاية أو مُركب داخل شبكة التصريف المنزلي.	قم بتنظيف الفلتر وأزل الترسبات الكلسية بالجهاز (انظر تنظيف مجموعة الفلتر وتعليمات إزالة الترسبات الكلسية). تحقق ما إذا كان طرف خرطوم التصريف مثبت على الارتفاع الصحيح (انظر التركيب). تحقق من التصريف في نظام الصرف المنزلي، قم بتركيب قاطع سيفون/صمام إدخال هواء عند اللزوم.
وجود كمية زائدة من الرغوة.	وجود كمية زائدة من الرغوة.	لم تتم معايرة مادة الغسل بشكل صحيح أو هي غير مناسبة للاستخدام في غسالات الأطباق (انظر ملء درج مادة الغسل).
هواء في الإمداد بالماء.	هواء في الإمداد بالماء.	افحص خرطوم سحب الماء من حيث وجود تسربات أو مشكلات أخرى تؤدي لدخول الهواء.
الأطباق ليست جافة بشكل جيد.	لا يوجد مساعد شطف أو الكمية قليلة للغاية.	تأكد من ملء حجيرة مساعد الشطف (انظر ملء حجيرة مساعد الشطف). لن توفر الأقراص متعددة الوظائف فقط تأثيرات تجفيف جيدة، مثل الاستخدام الفعلي لمساعد الشطف السائل.
تم تفريغ الأطباق بعد فتح الباب تلقائيًا ولكن قبل انتهاء الدورة الفعلية.	تم تفريغ الأطباق بعد فتح الباب تلقائيًا ولكن قبل انتهاء الدورة الفعلية.	تأكد من انتهاء الدورة قبل البدء في تفريغ الأطباق (انظر الاستخدام اليومي). للحصول على نتائج تجفيف أفضل، يُوصى بترك الأطباق داخل غسالة الأطباق مع فتح الباب لمدة 15 دقيقة إضافية بعد انتهاء الدورة.
الأطباق موضوعة بشكل مسطح للغاية.	الأطباق موضوعة بشكل مسطح للغاية.	إذا لاحظت وجود برك من الماء داخل تجاويف الأوعية أو الأكواب أو الأوعية، فحاول تحميل الأطباق (خاصة في الرف العلوي) لتوفير مزيد من الميل للسماح بتقطير كميات أكبر من الماء قبل بدء التجفيف.
الدورة المختارة ليس بها مرحلة تجفيف.	الدورة المختارة ليس بها مرحلة تجفيف.	برجاء مراجعة جدول البرامج وتحقق ما إذا كان البرنامج يحتوي على مرحلة للتجفيف. قد لا تحقق الدورة التي لا تحتوي على مرحلة التجفيف كفاءة التجفيف المطلوبة، لذلك يُوصى بتغيير اختيار الدورة لتلك التي بها مرحلة التجفيف.
الأطباق مضادة للالتصاق أو مصنوعة من البلاستيك.	الأطباق مضادة للالتصاق أو مصنوعة من البلاستيك.	بعض قطرات الماء المتبقية على هذا النوع من المواد طبيعية.
تحتوي الأطباق والأكواب على خطوط زرقاء أو مسحات مزرققة.	كمية مساعد الشطف زائدة.	اضبط الكمية على إعداد أقل.
الأطباق والأكواب مغطاة بطبقة من الكلس أو طبقة بيضاء.	خزان الملح فارغ.	أعد ملء الخزان بالملح في أسرع وقت. قد يؤدي استخدام الجهاز بدون ملح إلى تلف مكوناته الداخلية.
	إعداد عسر الماء منخفض للغاية.	قم بزيادة الإعداد (انظر جدول عسر الماء).
	غطاء خزان الملح غير مغلق بشكل صحيح.	افحص غطاء خزان الملح وأغلقه.
	خزان مساعد الشطف فارغ أو كمية مساعد الشطف غير كافية.	أعد ملء الدرج بمساعد الشطف وافحص إعداد الكمية (لمزيد من المعلومات - انظر ملء حجيرة مساعد الشطف).
تعرض غسالة الأطباق F8 E5	انسداد أو تعطل الصمام.	أغلق صنبور الماء، إن أمكن. لا توقف الإمداد بالكهرباء. اتصل بالخدمة.

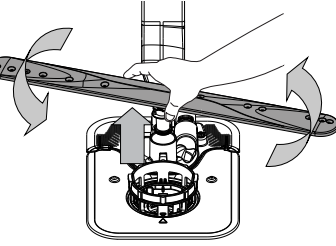
يمكن العثور على السياسات والوثائق القياسية وطلب قطع الغيار ومعلومات المنتج الإضافية من خلال:

- واستخدام رمز الاستجابة السريع وزيارة موقعنا الإلكتروني docs.whirlpool.eu
- زيارة موقعنا الإلكتروني parts-selfservice.whirlpool.com
- وكبديل، يمكنك الاتصال بخدمة ما بعد البيع لدينا (راجع رقم التليفون في كتيب الضمان). يرجى عند الاتصال بخدمة ما بعد البيع ذكر

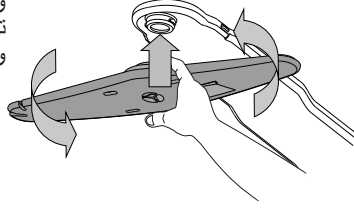
الأكواد المذكورة على لوحة تمييز المنتج. يمكن الحصول على معلومات المنتج من خلال مسح الكود QR-Code الموجود على ملصق بيانات الطاقة. يتضمن الملصق أيضًا معرف نموذج يمكن استخدامه للاطلاع على موقع التسجيل على الرابط التالي <https://eprel.ec.europa.eu>.



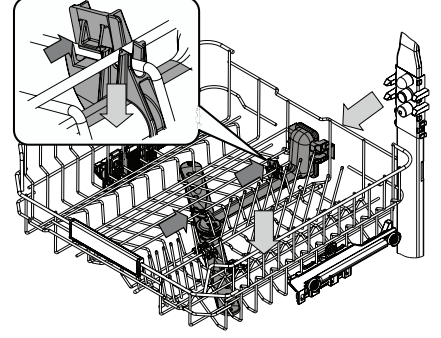
يمكن خلع ذراع الرش السفلي بشده إلى أعلى وتدويره عكس اتجاه حركة عقارب الساعة. يتم تثبيت ذراع الرش للخلف عن طريق سحبه لأسفل وتدويره في اتجاه حركة عقارب الساعة.



يمكن خلع ذراع الرش العلوي بضغطة إلى أعلى وتدويره عكس اتجاه حركة عقارب الساعة. يتم تثبيت ذراع الرش للخلف عن طريق سحبه لأسفل وتدويره في اتجاه حركة عقارب الساعة.



أحياناً قد تغطي بقايا الطعام أذرع الرش وتسد الفتحات المستخدمة في رش الماء. لذا ينصح بفحص الأذرع من وقت لآخر وتنظيفها باستخدام فرشاة صغيرة غير معدنية.



إزالة الرشاش العلوي، يجب إزالته مع المشعب. يحتوي الرف العلوي (الرف الأعلى) على أنبوب غسل ثابت مع توجيهه على أنبوب غسل الرف للخارج وباستخدام الكماشة، قم

جميع فوهات الغسيل للأعلى. لتنظيفه، يمكنك تحريك الرف للخارج وباستخدام الكماشة، قم بإزالة العناصر التي قد تكون مستقرة في الفوهات.

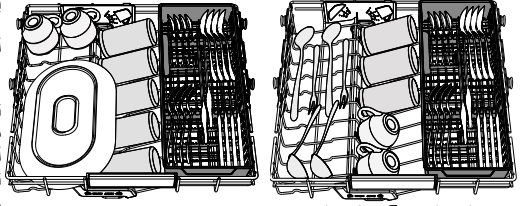
دليل تحري الأعطال

في حالة عدم عمل غسالة الأطباق بشكل صحيح، تحقق مما إذا كان يمكن حل المشكلة من خلال تصفح القائمة التالية، فيما يتعلق بالأخطاء الأخرى أو المشاكل يرجى الاتصال بخدمة ما بعد البيع المعتمدة حيث يمكنك إيجاد تفاصيل الاتصال في كتيب الضمان. ستوفر قطع الغيار لمدة تصل إلى 7 سنوات أو إلى 10 سنوات، وفقاً لمتطلبات التشريع الخاصة.

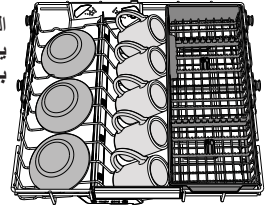
المشكلات	الأسباب المحتملة	الحلول
إضاءة لمبة بيان مستوى الملح	خزان الملح فارغ تقريباً.	أعد ملء الخزان بالملح (للمزيد من المعلومات - انظر ملء خزان الملح). اضبط درجة عسر الماء - انظر جدول عسر الماء.
وميض لمبة بيان مستوى الملح	خزان الملح فارغ.	أعد ملء الخزان بالملح في أسرع وقت. قد يؤدي استخدام الجهاز بدون ملح إلى تلف مكوناته الداخلية.
إضاءة أو وميض لمبة بيان مساعد الشطف	درج مساعد الشطف فارغ. (بعد إعادة الملء، قد تظل لمبة بيان مستوى مساعد الشطف مضبوطة لوقت قصير).	أعد ملء الدرج بمساعد الشطف (للمزيد من المعلومات - انظر ملء حجرة مساعد الشطف).
إضاءة أو وميض لمبة بيان إزالة الترسبات الكلسية، يظهر الإنذار "dES".	تتراكم الترسبات الكلسية على المكونات الداخلية للجهاز.	قم بإزالة الترسبات الكلسية من الجهاز فوراً باستخدام برنامج التنظيف الذاتي ومنتج إزالة الترسبات الكلسية المتوفر تجارياً (راجع الخيارات والوظائف). أعد ملء الخزان بالملح. راجع إعداد عسر الماء. إذا لم يتم إزالة الترسبات الكلسية من الجهاز، فسيوقف عن العمل.
لا يمكن تشغيل غسالة الأطباق أو غسالة الأطباق لا تستجيب للأوامر.	لم يتم توصيل قابس الجهاز بشكل صحيح.	أدخل القابس في المقبس الكهربائي.
	انقطاع التيار.	لأسباب تتعلق بالسلامة، لن يتم إعادة تشغيل غسالة الأطباق أو توماتيكياً عند عودة التيار الكهربائي. افتح باب غسالة الأطباق، اضغط على زر التشغيل/الإيقاف المؤقت وأغلق الباب خلال 4 ثوان.
	باب غسالة الأطباق غير مغلق. خابور NaturalDry غير مُدخّل.	اضغط على الباب بقوة إلى أن تسمع صوت «كليك».
	تنتقطع الدورة عن طريق فتح الباب لأكثر من 4 ثوان.	اضغط على زر التشغيل/الإيقاف المؤقت وأغلق الباب خلال 4 ثوان.
	لوحة التحكم لا تستجيب أو يتم عرض F6 E1.	أوقف الجهاز بالضغط على زر التشغيل/الإيقاف/إعادة وأعد تشغيله مرة أخرى بعد ما يقرب من دقيقة واحدة وأعد تشغيل البرنامج. إذا استمرت المشكلة، افصل الجهاز لمدة دقيقة واحدة، ثم وصله مرة أخرى.
الغسالة لا تقوم بالتصريف. يظهر على الشاشة: F9 E1 أو F7 E3	الفلتر مسدود ببقايا الأطعمة ترسبات كلسية. خرطوم التصريف متني. منفذ التصريف مسدود.	قم بتنظيف الفلتر وأزل الترسبات الكلسية بالجهاز (انظر تنظيف مجموعة الفلتر وتعليمات إزالة الترسبات الكلسية). افحص خرطوم التصريف (انظر تعليمات التركيب). قم بتنظيف منفذ التصريف.
تصدر ضوضاء كبيرة عن غسالة الأطباق.	الأطباق تصطم ببعضها. وجود كمية زائدة من الرغوة.	قم بوضع الأواني بشكل صحيح (انظر وضع الأطباق على الأرفف). لم تتم معايرة مادة الغسل بشكل صحيح أو هي غير مناسبة للاستخدام في غسالات الأطباق (انظر ملء درج مادة الغسل). أعد تشغيل الدورة الحالية من خلال إيقاف غسالة الأطباق ثم إعادة تشغيلها مرة أخرى، اختر برنامج جديد، واضغط على التشغيل/الإيقاف المؤقت وأغلق الباب خلال 4 ثوان. لا تضيف أي كمية من مادة الغسل.
	لم يتم ترتيب الأواني الخزفية بشكل صحيح. الفلتر مسدود ببقايا الأطعمة ترسبات كلسية.	قم بترتيب الأواني الخزفية بشكل صحيح (انظر وضع الأطباق على الأرفف). قم بتنظيف مجموعة الفلتر (انظر العناية والصيانة).
الأطباق ليست نظيفة.	لم يتم ترتيب الأواني بشكل صحيح. أذرع الرش لا يمكنها الدوران بحرية، بسبب إعاقتها من قبل الأطباق. دورة الغسيل خفيفة للغاية.	قم بترتيب الأواني بشكل صحيح (انظر وضع الأطباق على الأرفف). اختر دورة غسيل مناسبة (انظر جدول البرامج).
	تكونت رغوة زائدة. لم يتم غلق غطاء حجيبة مساعد الشطف بشكل صحيح. الفلتر مسدود ببقايا الأطعمة ترسبات كلسية.	لم تتم معايرة مادة الغسل بشكل صحيح أو هي غير مناسبة للاستخدام في غسالات الأطباق (انظر ملء حجيبة مادة الغسل). تأكد أن غطاء حجيبة مساعد الشطف مغلق. قم بتنظيف الفلتر وأزل الترسبات الكلسية بالجهاز (انظر تنظيف مجموعة الفلتر).
	خزان الملح فارغ.	قم بملء خزان الملح (انظر ملء خزان الملح).

أعلى رف

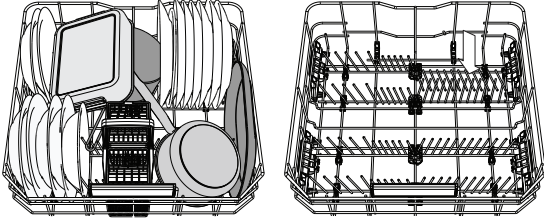
يوفر "أعلى رف" منطقة غسيل مستهدفة للتنظيف للأوعية والأكواب وحتى الأطباق الكبيرة وأدوات المائدة التي عادة ما يتم تحميلها في الرفوف السفلية، مما يوفر مساحة إضافية لبقية أطباق اليوم. منفصل يسهل من جمعها بعد الغسيل كما يحسن من أداء الغسيل والتجفيف. يجب وضع السكاكين وأدوات المائدة الأخرى ذات الحواف الحادة بحيث تتجه الإتصال إلى أسفل.



يجب وضع السكاكين وأدوات المائدة الأخرى ذات الحواف الحادة بحيث تتجه الإتصال إلى أسفل.



للأواني والأغطية والأطباق وأطباق السلطة وأدوات المائدة وخلافه. من الأفضل وضع الأطباق والأغطية الكبيرة على الأجناب لتجنب اصطدامها بأذرع الرش. توجد في الرف السفلي دعائم لمنع الانقلاب بحيث يمكن استخدامها بشكل راسي عند ترتيب الأطباق أو في وضع أفقي (منخفض) لإدخال الأواني وأطباق السلطة بشكل أسهل.



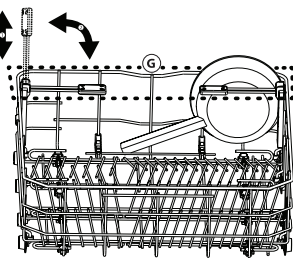
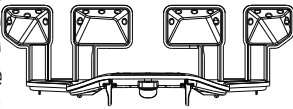
(مثال لكيفية ملء الرف السفلي)

POWER CLEAN® وظيفة باور كلين في الرف السفلي

تقوم وظيفة باور كلين باور كلين® باستخدام نفثات الماء الخاصة في نطاق الحيز الخلفي لغسل الأجزاء شديدة الاتساخ بكثافة أعلى.

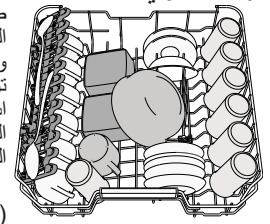
يوجد بالرف السفلي تجهيزات لتوفير المساحة، وهي عبارة عن دعامة خاصة قابلة للإخراج موجودة في الجزء الخلفي من الرف، حيث يمكن استخدامها لسند المقالي والأواني الكبيرة في وضع راسي مما يجعلها تأخذ حيزاً أصغر.

لوضع الأواني/الكسرولات مواجهة لنفثات وظيفة باور كلين® يرجى تفعيل وظيفة باور كلين في لوحة التحكم. كيفية استخدام وظيفة باور كلين باور كلين®: 1. اضبط نطاق وظيفة باور كلين باور كلين® (G) بطي حوامل اللوح الخلفي لأسفل لوضع الأواني. 2. ضع الأوعية والكسرولات في نطاق وظيفة باور كلين باور كلين® بشكل راسي مائل. يجب إمالة الأوعية تجاه نفثات الماء القوية.



الرف العلوي

ضع الأطباق الحساسة والخفيفة: الأكواب الزجاجية والفناجين وصحون الفناجين وأطباق السلطة قليلة العمق. توجد في الرف العلوي دعائم لمنع الانقلاب بحيث يمكن استخدامها بشكل راسي عند ترتيب صحون فناجين الشاي/أطباق الحلويات أو في وضع منخفض لإدخال السلطانيات وعلب حفظ الطعام.

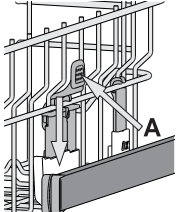


(مثال لكيفية ملء الرف العلوي)

ضبط ارتفاع الرف العلوي

يمكن ضبط ارتفاع الرف العلوي: الوضع العلوي لإدخال الأواني كبيرة الحجم إلى السلة السفلية والوضع السفلي للاستفادة القصوى من دعائم منع الانقلاب بتأاحة حيز أكبر فوقها وتجنب الاصطدام بالأشياء الموضوعة في الرف السفلي.

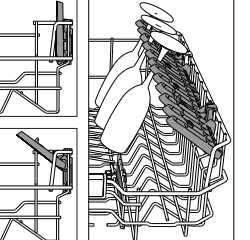
الرف العلوي مزود بضوابط ارتفاع الرف العلوي (انظر الشكل)، دون الضغط على الأزرع قم برفعها ببساطة عن طريق مسك جوانب الرف، بمجرد تثبيت الرف في وضعه العلوي. A للعودة إلى الوضع السفلي اضغط على الأزرع الموجودة على جوانب الرف وحرك السلة إلى أسفل.



ننصح بشد ألا تقوم بضبط ارتفاع الرف أثناء وجود الأواني فيه. لا تقم أبداً برفع أو إنزال السلة من جانب واحد.

أغطية القابلة للضبط

جانب الأغطية القابلة للضبط يمكن طيه أو فرده لتحسين ترتيب الأواني داخل الحامل. يمكن وضع الكؤوس بأمان على الأغطية القابلة عن طريق إدخال ساق كل كأس في الفتحة المناسبة. اعتماداً على الموديل: • لفرد الأغطية تحتاج لرفعها وتدويرها أو تحريرها من المشابك وسحبها لأسفل. • لطّي الأغطية تحتاج لتدويرها وسحبها لأسفل أو رفعها وربط الأغطية بالمشابك.



العناية والصيانة

تنظيف مجموعة الفلتر

احرص على تنظيف مجموعة الفلتر بانتظام بحيث لا يتعرض للانسداد، ويظل الماء المستخدم يتدفق إلى الخارج بشكل صحيح.

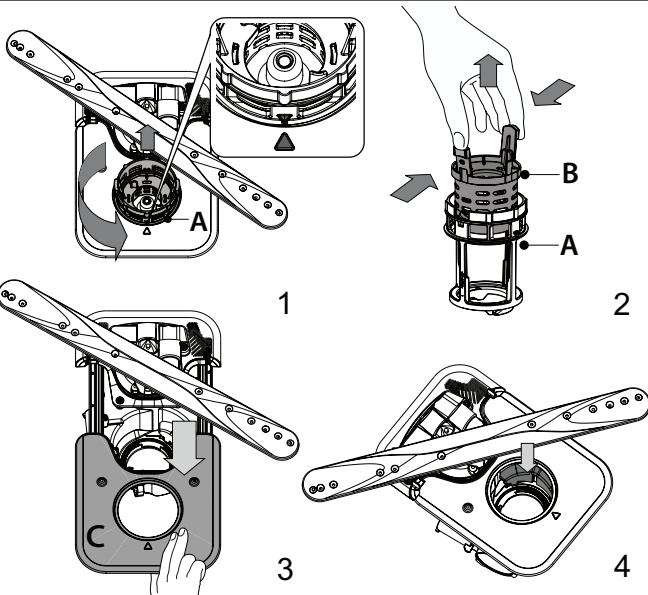
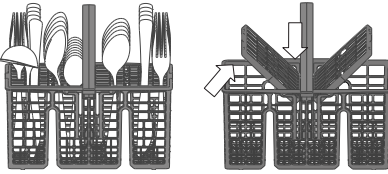
قد يتسبب استخدام غسالة أطباق بفلتر مسدود أو بوجود أجسام غريبة داخل نظام التصفية أو أنزع الرش، إلى تعطل الوحدة الناتج عنه انخفاض الأداء وصدور ضوضاء أو زيادة استهلاك الموارد. تتكون مجموعة الفلتر من ثلاثة فلاتر، تعمل على إزالة بقايا الطعام من ماء الغسيل ثم إعادة تدوير الماء: للحصول على أفضل نتائج غسيل يجب أن تظّل نظيفة.

يجب ألا يتم استخدام غسالة الأطباق دون فلتر أو إذا كان الفلتر سائباً. على الأقل مرة واحدة كل شهر أو بعد 30 دورة، افحص مجموعة الفلتر ونظفها إذا لزم الأمر أسفل ماء جاري، استخدم فرشاة غير معدنية واتبع التعليمات الموضحة أدناه:

- أدر الفلتر الأسطواني A عكس اتجاه عقارب الساعة واجنبيه للخارج (الشكل 1). من المهم عند إعادة تركيب الفلتر أن يتقابل المثلثان الموضحان في المنظر المكبر.
- أخرج فلتر الفناجين B بالضغط الخفيف على الأغطية الجانبية القابلة (الشكل 2).
- أخرج فلتر الأطباق المصنوعة من الاستانلس ستيل C (الشكل 3).
- في حالة وجود أجسام غريبة (مثل زجاج مكسور، بوسرلين، عظام، بذور فواكه إلخ.) يُرجى إزالتها بحرص.
- افحص مصفاة الفلتر وأزل أي بقايا للأطعمة. لا تقم أبداً بخلع واقية مضخة دورة الغسيل (موضح بسهم) (الشكل 4).

بعض تنظيف الفلاتر أعد تركيب مجموعة الفلتر وثبتها في موضعها بشكل صحيح، وهذا ضروري للحفاظ على كفاءة تشغيل غسالة الأطباق.

يجب وضع السكاكين والأواني ذات الحواف الحادة في سلة أدوات المائدة، بحيث تكون النقاط الحادة متجهة إلى أسفل أو يجب وضعها بشكل أفقي بمواضع منع الانقلاب في الرف العلوي.



البرنامج	وصف البرامج	الدرجة تجفيف	Natu- ralDry	الوظائف الاختيارية المتاحة (*)	مدة برنامج الغسل (س:دقيقة)**	استهلاك الماء (لتر/دورة)	استهلاك الطاقة (كيلوواط ساعة/ دورة)
Eco 1P	اقتصادي 50° - برنامج Eco مناسب لتنظيف أدوات المائدة المتسخة بدرجة عادية، ولهذا الغرض، يعتبر هذا البرنامج من أهم البرامج بالنسبة لاستهلاك الطاقة والماء، حيث يستخدم لتقييم التوافق مع التصميم الصديق للبيئة من لوائح الاتحاد الأوروبي.	✓	✓	POWER CLEAN 1/2 1/3 + 1h	3:30	9,5	0,75
2P	مكثف أو توماتيكي 65° - برنامج أو توماتيكي للأطباق والأواني ذات الاتساخات الشديدة (لا يستخدم للأواني الحساسة).	✓	✓	POWER CLEAN 1/2 1/3 + 1h	3:10 - 2:25	24,5 - 15,5	1,70 - 1,30
3P	أوتوماتيكي مختلط 55° - برنامج أو توماتيكي للأطباق المتسخة بشكل عادي مع بقايا الطعام المجفف.	✓	✓	POWER CLEAN 1/2 1/3 + 1h	3:00 - 1:20	19,5 - 7,5	1,20 - 0,75
4P	أوتوماتيكي سريع 50° - برنامج أو توماتيكي للأطباق المتسخة بشكل عادي وخفيف. دورة الغسل اليومية التي تضمن أفضل أداء في التنظيف والتجفيف في وقت قصير.	✓	✓	POWER CLEAN 1/2 1/3 + 1h	1:50 - 1:00	15,5 - 7,5	1,10 - 0,70
5P	سريع 45° - يُوصى باستخدام البرنامج لكمية محدودة من الأطباق خفيفة الاتساخ مع عدم وجود بقايا طعام مجففة. لا يتضمن مرحلة تجفيف.	-	✓	1/2 1/3 + 1h	0:40 - 0:30	12,0 - 10,0	0,65 - 0,55
6P	زجاج 45° - برنامج للأواني الحساسة لدرجات الحرارة العالية مثل الأكواب الزجاجية والفلاجين.	✓	✓	1/2 1/3 + 1h	1:50 - 1:40	16,5 - 12,5	1,20 - 0,95
7P	برنامج هادئ 55° - مناسب لتشغيل الجهاز ليلاً. تضمن أفضل أداء في التنظيف والتجفيف مع صوت شديد الانخفاض.	✓	✓	1/3 + 1h	4:10 - 3:50	14,5 - 10,5	1,15 - 0,80
8P	برنامج تعقيم 65° - الأواني المتسخة اتساخاً عادياً أو شديداً، مع غسيل إضافي مضاد للبكتيريا. تستخدم للقيام بعمل صيانة لغسالة الأطباق.	✓	-	POWER CLEAN 1/2 1/3 + 1h	2:10 - 1:55	19,0 - 12,0	1,80 - 1,40
9P	غسل أولي - النقع يستخدم لتنشيط الأواني المقرر غسلها لاحقاً. لا يتم استخدام مادة غسل مع هذا البرنامج.	-	✓	1/3 1h	0:12	4,5	0,10
10P	تنظيف ذاتي 65° - البرنامج المقرر استخدامه لإجراء صيانة غسالة الأطباق، يجب أن يقتصر تنفيذه فقط عندما تكون غسالة الأطباق فارغة وذلك باستخدام مواد تنظيف خاصة مصممة لصيانة غسالة الأطباق.	-	-	1h	1:15	11,0	1,10

بيانات البرنامج اقتصادي مقاسة في ظروف المختبر وفقاً للمواصفة الأوروبية EN 60436:2020.

ملاحظة لمختبرات الفحوص: للمعلومات المتعلقة بشروط اختبارات الملاءمة EN، الرجاء إرسال بريد إلكتروني إلى العنوان التالي: dw_test_support@whirlpool.com

المعالجة الأولية للأطباق غير ضرورية قبل أي برنامج.

(* لا يمكن استخدام كافة الوظائف الاختيارية في نفس الوقت.

** القيم الموضحة للبرنامج غير برنامج Eco هي قيم استرشادية فقط. قد تختلف المدة الحقيقية تبعاً للعديد من العوامل مثل درجة حرارة الماء الداخل وضغطه.

وبردة حرارة الغرفة وكمية مادة الغسل وكمية الأواني وتوازنها والوظائف الاختيارية الإضافية المختارة ومعايرة المستشعر. قد تتسبب معايرة المستشعر في زيادة مدة البرنامج بما يصل إلى ٢٠ دقيقة.

الخيارات والوظائف

يمكن اختيار/ إلغاء اختيار الخيارات، بعد اختيار البرنامج، مباشرة بالضغط على الزر المعني (إذا كان متاحاً - يضيء المؤشر) (انظر لوحة التحكم). في حالة عدم توافق الوظيفة الاختيارية مع البرنامج المختار (انظر جدول البرامج) تومض لمبة LED المعنية بشكل سريع 3 مرات وتصدر إشارات صوتية. ولن يتم تفعيل الوظيفة الاختيارية. يمكن خيار ما تغيير الوقت أو استهلاك المياه أو الطاقة للبرنامج.

ضوء على الأرض - تشير لمبة LED الموجودة في الأرضية إلى تشغيل غسالة الأطباق. تنطفئ أثناء/بعد طور التجفيف لتحقيق أداء تجفيف استثنائي كل يوم. يفتح الباب عند درجة حرارة آمنة لأنثاء المطبخ الخاص بك.



NaturalDry - نظام فتح الباب (NaturalDry) هو نظام تجفيف حراري يفتح الباب أو توماتيكي أثناء/بعد طور التجفيف لتحقيق أداء تجفيف استثنائي كل يوم. يفتح الباب عند درجة حرارة آمنة لأنثاء المطبخ الخاص بك.

يتم إضافة ورق وقاية من البخار مصمم خصيصاً مع غسالة الأطباق كإجراء وقاية إضافي (تبعاً لنوع الموديل - قد تحتاج إلى شرائه). لمعرفة كيفية تركيب ورق الوقاية يرجى الرجوع إلى (دليل التركيب). تكون هذه الوظيفة مفعلة افتراضياً، ولكن يمكن إلغاء تفعيلها في قائمة الإعدادات.

إزالة الكلس - إنذار - تم اكتشاف تراكم الكلس على المكونات الداخلية للجهاز. تحقق مما إذا كان إعداد عسر الماء بالقيمة الصحيحة وأن الملح موجود في حاوية الملح (انظر الاستخدام لأول مرة)، ثم استخدم منتج إزالة الكلس (يوصى باستخدام العلامة التجارية WPro) مع برنامج التنظيف الذاتي. بعد إزالة الكلس بنجاح، سيتوقف عرض الأيقونة.

إذا لم يتم تنفيذ الإجراءات المذكورة أعلاه، فسوف يتدهور أداء المنتج. سيبدأ تحذير "إزالة الكلس" بالوميض وسيظهر إنذار "des" على الشاشة. إذا لم يتم اتخاذ أي إجراء، فسيتم السماح للجهاز فقط ببدء عدد معين من الدورات (يشار إليها أثناء عرض الإنذار "des")، وبعد ذلك سيتم حظره لمنع تلف المكونات، مع توفر برنامج التنظيف الذاتي فقط سيؤدي إجراء دورة إزالة الكلس كاملة إلى إلغاء حظر المنتج. في حالة وجود كميات كبيرة جداً من الكلس، قد يتعين إجراء إزالة الكلس مرتين حتى تكون فعالة.

البرنامج المفضل - يمكن حفظ البرنامج المفضل ويمكن الوصول إليه بسهولة. ابحث عن البرنامج باستخدام السابق/التالي، ثم اضغط على زر البرنامج المفضل لمدة 3 ثوان.

صنبور الماء مغلق - إنذار - يومض، في حالة انعدام سحب الماء أو عند غلق صنبور الماء.

EXTRA DRY (تجفيف إضافي) - تسمح درجة الحرارة المرتفعة أثناء الشطف النهائي ومرحلة التجفيف الممتدة بتحسين التجفيف. تتسبب الوظيفة الاختيارية جفاف فائق في زيادة مدة دورة الغسيل.

الاستخدام اليومي

- فحص وصلة الماء**
تأكد أن غسالة الأطباق موصلة بمصدر الماء وأن الصنبور مفتوح.
- تشغيل غسالة الأطباق**
افتح الباب واضغط على زر التشغيل/الإيقاف
- وضع الأواني على الأرفف** (انظر وضع الأطباق على الأرفف)
- ملء حجرة مادة الغسل**
- اختيار البرنامج وتخصيص الدورة**
اختر البرنامج الأنسب وفقاً لنوع الأواني الخزفية ومستوى اتساخها (انظر وصف البرامج) بالضغط على الزرين السابق/التالي.
حدد الاختيارات التي ترغب بها (راجع الخيارات والوظائف). ليست كل الخيارات متوافقة مع كل البرامج.
- لتشغيل**
ابدأ دورة الغسيل من خلال الضغط على زر START/Pause (التشغيل/الإيقاف المؤقت) (لمبة led مضيئة) و غلق الباب خلال 4 ثوان. عندما يبدأ تشغيل البرنامج، يصدر صوت صافرة واحدة. إذا لم يتم غلق الباب خلال 4 ثوان، سيصدر صوت تنبيه. في هذه الحالة، افتح الباب، واضغط على زر START/Pause (التشغيل/الإيقاف المؤقت) وأغلق الباب مرة خلال 4 ثوان
- نهاية دورة الغسيل**
يُشار إلى نهاية دورة الغسيل بالصوت ويظهر البيان END (النهائية).
افتح الباب وقم بإيقاف الجهاز بالضغط على زر التشغيل/الإيقاف.
انتظر لعدة دقائق قبل إخراج أواني الطهي - لتجنب الإصابة بحروق. قم بتفريغ الأرفف بدءاً من الرف السفلي.

تعديل برنامج مشغل
إذا تم اختيار برنامج خاطئ، فمن الممكن تغييره، بشرط أن يكون قد بدأ للتو. إعادة ضبط الغسالة: ثبت الضغط على زر التشغيل/الإيقاف لأكثر من 3 ثوان، وسيتم إيقاف الغسالة. ستعرض لوحة التحكم "0:01".¹³ غلق الباب وانتظر حتى تنتهي دورة التصريف (حوالي دقيقة واحدة). افتح الباب وأعد تشغيل الغسالة مرة أخرى باستخدام زر (التشغيل/الإيقاف) واختار دورة الغسيل الجديدة وأي خيارات مطلوبة.¹⁴ ابدأ دورة الغسيل من خلال الضغط على زر التشغيل/الإيقاف المؤقت وأغلق الباب خلال 4 ثوان.

إضافة المزيد من الأواني الخزفية
دون إيقاف الجهاز، افتح الباب أولاً قليلاً لتجنب تناثر الماء (ستبدأ لمبة التشغيل/الإيقاف المؤقت في الوميض) (احترس! بخار ساخن!) وضع الأواني الخزفية داخل غسالة الأطباق. اضغط على زر التشغيل/الإيقاف المؤقت وأغلق الباب خلال 4 ثوان، ستواصل دورة الغسيل عملها من حيث توقفت.

التوقيات غير المقصودة
إذا تم فتح الباب أثناء دورة الغسيل، أو إذا انقطع التيار الكهربائي، تتوقف الدورة فقط في حالة الضغط على زر التشغيل/الإيقاف المؤقت وأغلق الباب خلال 4 ثوان، ستواصل دورة الغسيل عملها من حيث توقفت.

إرشادات ونصائح

- إرشادات بشأن توفير الطاقة**
- عندما تستخدم غسالة الأطباق المنزلية تبعاً لتعليمات الجهة الصانعة، يستهلك عادة سيل أدوات المائدة طاقة أقل وماء عن غسيل الأطباق باليد.
 - لزيادة كفاءة غسالة الأطباق يُنصح ببدء دورة الغسيل فور تحميل غسالة الأطباق بالكامل. سيساهم تحميل غسالة الأطباق المنزلية حتى السعة الاستيعابية المحددة من قبل الجهة الصانعة في توفير الطاقة والماء. يمكن إيجاد معلومات بشأن وضع الأواني بشكل صحيح في فصل تحميل الأرفف. في حالة التحميل الجزئي يُنصح باستخدام خيارات الغسيل المحددة عند توفرها (تحميل جزئي / غسيل النطاق/ متعدد النطاقات)، تحميل فقط الأرفف المحددة. قد يتسبب التحميل غير الصحيح أو زيادة تحميل غسالة الأطباق في زيادة استهلاك الموارد (مثل الماء والطاقة والوقت، وزيادة مستوى الضوضاء) وتقليل التنظيف ومستوى التحجيف.
 - قد يؤدي الشطف الأولي اليدوي لأواني المائدة في زيادة استهلاك الماء والطاقة وغير موصى بذلك.

التعقيم الصحي
لتجنب تكون الروائح الكريهة والرواسب في غسالة الأطباق يرجى تشغيل برنامج بدرجة حرارة مرتفعة مرة واحدة شهرياً على الأقل. استخدم ملعقة صغيرة من مادة الغسل وشغل الغسالة دون وضع أي شيء فيها حتى يتم تنظيف الجهاز.

مقاومة التجمد
إذا تم وضع الجهاز في مناطق معرضة لخطر التجمد، فإنه يجب تصريف الماء منه تماماً. أغلق صنبور الماء، وأخلع خرطوم السحب والتصريف، وقم بتصريف الماء تماماً. تأكد من امتلاء مزبل عسر الماء بملح التجديد المذاب في خزان الملح، وذلك لحماية الجهاز من درجات الحرارة حتى 20°-م.
إذا تم تخزين الجهاز في ظروف الصقيع، فيجب أن يظل الجهاز في درجة حرارة محيطية تبلغ بحد أدنى 5°م لمدة 24 ساعة على الأقل قبل التشغيل لأول مرة.

نصائح
قبل وضع الأغراض في السلال، قم بإزالة جميع بقايا الطعام من أواني الطهي وقم بإفراغ الأكواب. لا حاجة لشطف الأواني بالماء الجاري قبل إدخالها.
قم بترتيب الأواني بحيث تثبت في مكانها ولا تنقلب، وقم بتنظيم العلب بحيث تكون فتحاتها متجهة إلى أسفل والأجزاء المقعرة/المحدبة مائلة، مما يسمح للماء بالتدفق بحرية والوصول إلى مختلف الأسطح.
تحذير: الأعطية والمقايض والصواني والمقالي لا تعيق أزراع الرش عن الدوران. ضع الأشياء الصغيرة في سلة أدوات المائدة.
يجب وضع الأطباق والأواني المتسخة بشدة في السلة السفلية، لأن هذا الجزء يتعرض لرداذ أقوى من الماء وينتج أداء غسيل أقوى.
قبل وضع الأواني في الجهاز تأكد أن أزرع الرش يمكنها الدوران بحرية.

الأواني غير الملائمة

- الأواني وأدوات المائدة الخشبية.
- الأكواب الحساسة المزخرفة، أواني الطهي المصنوعة يدوياً أو التي تعتبر قطعاً فنية.
- فعناصر الزينة غير مقاومة للمؤثرات داخل الغسالة.
- الأجزاء المصنوعة من خامات تليقية لا تتحمل درجات الحرارة العالية.
- أواني النحاس والقصدير.
- الأواني المتسخة بالرمد أو الشمع أو شحم التزليق أو الحبر.

قد تتغير ألوان عناصر زينة الأكواب وقطع الألومنيوم/الفضة وتبهت أثناء عملية الغسيل. بعض أنواع الزجاج (على سبيل المثال الأشياء المصنوعة من الكريستال) قد تتحول إلى اللون الداكن بعد غسلها أكثر من مرة.

تعرض الأكواب والأواني لأضرار

- اقتصر على استخدام الأكواب والأواني المصنوعة من البورسلين التي تضمن الجهة الصانعة لها أنها آمنة الاستخدام في غسالات الأطباق.
- استخدم مادة الغسل الرقيقة المناسبة للأواني
- أخرج الأكواب وأدوات المائدة من الغسالة بمجرد انتهاء الدورة.

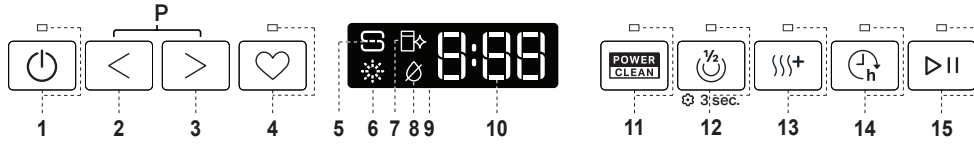
قبل استخدام الجهاز، اقرأ تعليمات السلامة والتركيب بعناية. مزيد من المعلومات حول المنتج الخاص بك متوفرة على الموقع الإلكتروني: docs.whirlpool.eu

شرك على شرايك أحد منتجات شركة WHIRLPOOL للحصول على المساعدة الكاملة، يرجى تسجيل جهازك على: www.whirlpool.eu/register



بعد التركيب يرجى إزالة جميع أجزاء الحماية أثناء النقل من غسالة الصحون.

لوحة التحكم



- زر خيار نصف الكمية مع لمبة بيان/إعدادات - اضغط زر 3 ثوان
- زر خيار التجفيف الإضافي مع لمبة بيان
- زر خيار تأخير بدء التشغيل مع لمبة بيان
- زر التشغيل/الإيقاف المؤقت مع لمبة بيان

- زر التشغيل والإيقاف/إعادة الضبط مع لمبة بيان
- زر البرنامج السابق
- زر البرنامج التالي
- زر البرنامج المفضل مع لمبة بيان
- لمبة بيان فراغ خزان الملح
- لمبة بيان فراغ خزان مساعد الشطف
- لمبة بيان إزالة الكلس
- لمبة بيان غلق صنوبر الماء
- الشاشة
- مبين رقم البرنامج والوقت المتبقي
- زر خيار Power Clean® (التنظيف الآلي) مع لمبة بيان

الاستخدام لأول مرة

إعداد القائمة

- قم بتشغيل الجهاز بالضغط على زر التشغيل-الإيقاف (1).
- استمر في الضغط على زر الإعدادات (2) (نصف الكمية) لمدة 3 ثوان، حتى تسمع صوت بيب وتعرض الشاشة "Set".
- بعد ثانية واحدة، سيتم عرض الإعداد المتاح الأول (الحرف "h").
- اضغط على السابق/التالي > لتصفح قائمة الإعدادات المتاحة (انظر الجدول أدناه)، ثم اضغط على التشغيل/الإيقاف > لتغيير قيمة الإعداد المحدد حالياً.
- اضغط على السابق/التالي > لتغيير القيمة، ثم اضغط على التشغيل/الإيقاف > للمؤقت لحفظ القيمة الجديدة والعودة إلى القائمة الرئيسية.
- لتغيير إعداد آخر، كرر النقطتين 4 و 5.
- اضغط على التشغيل-الإيقاف (1) أو انتظر 30 ثانية للخروج من القائمة.

جدول عسر الماء			
المستوى	الدرجات الألمانية dH°	الدرجات الفرنسية fh°	Clark° درجات إنجليزية
1 (يسر)	6 - 0	10 - 0	7 - 0
2 (متوسط)	11 - 7	20 - 11	14 - 8
3 (متوسط)	16 - 12	29 - 21	20 - 15
4 (عسر)	34 - 17	60 - 30	42 - 21
5 (عسر جدا)	50 - 35	90 - 61	62 - 43

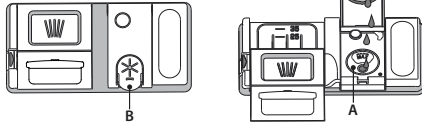
نظام تقليل عسر الماء

يقال مزيل عسر الماء أوتوماتيكياً درجة عسر الماء، وبالتالي يمنع تراكم القشرة الكلسية بعنصر التسخين، مما يساهم أيضاً في تحسين كفاءة عملية التنظيف. **يجدد هذا النظام نفسه عن طريق الملح، ولهذا يلزم إعادة ملء وعاء الملح عند فراغه.** يعتمد تكرار التجديد على ضبط مستوى درجة عسر الماء - يتم التجديد مرة كل 4-6 من دورات الغسيل مع Eco مع ضبط مستوى درجة عسر الماء على 3. تتم عملية التجديد في بداية الدورة بمياه نظيفة إضافية. • يستهلك التجديد الفردي ~ 3 لتر من الماء، • حيث يستغرق ما يقرب من 5 دقائق إضافية للدورة، • ويستهلك أقل من 0.005 كيلووات من الطاقة.

ملء حجيرة مساعد الشطف

يعمل مساعد الشطف على تسهيل تجفيف الأطباق. ينبغي ملء حجيرة مساعد الشطف A عند إضاءة لمبة بيان إعادة ملء مساعد الشطف B الموجودة في لوحة التحكم.

- افتح الحجيرة B بالضغط على المقبض الموجود بالغطاء وجذبه إلى أعلى.
- أضف مساعد الشطف بحرص حتى الحز المرجعي الأقصى (110 مل) بحيز الملء - تجنب انسكاب مساعد الشطف. إذا حدث هذا فقم بتنظيف أي انسكاب باستخدام قطعة قماش جافة.
- اضغط الباب إلى أسفل إلى أن تسمع صوت كليك حتى يتم غلقه. لا تقم أبداً بصب مساعد الشطف مباشرة في الحوض.



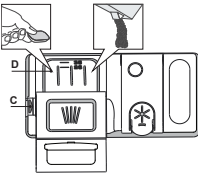
ضبط كمية مساعد الشطف

- إذا كنت غير راضٍ بشكل كافٍ عن نتائج التجفيف، يمكنك ضبط كمية مساعد الشطف المستخدمة. للتغيير، اتبع التعليمات في الجزء "إعداد القائمة". إذا تم ضبط مستوى مساعد الشطف على **صفر**، لن يتم استخدام مساعد الشطف. لن تضئ لمبة بيان انخفاض مستوى مساعد الشطف في حالة نفاذ مساعد الشطف. يمكن ضبط 6 مستويات كحد أقصى طبقاً لموديل غسالة الأطباق.
- إذا لاحظت وجود خطوط زرقاء على الأطباق فقم بضبط رقم منخفض (3-0).
 - إذا كانت هناك قطرات ماء أو آثار ترسبات جيرية على الأطباق، قم بضبط رقم مرتفع (4-5).

ملء حجيرة مساعد الشطف

لفتح حجيرة مادة الغسل استخدم أداة الفتح C. ضع مادة الغسل في الحجيرة الجافة D فقط. ضع كمية مادة الغسل الخاصة بالغسيل الأولي في الحوض مباشرة.

- عند معايرة المنظف اقرأ المعلومات المشار إليها سابقاً لإضافة الكمية الصحيحة. داخل توجد مؤشرات للمساعدة في D الموزع تحديد جرعة المنظف.
- أزل بقايا مادة الغسل من حواف الحجيرة وأغلق الغطاء إلى أن يصدر صوت كليك.
- أغلق غطاء حجيرة مادة الغسل بجذبه إلى أعلى إلى أن يتم تأمين تجهيزة الغلق.



تفتح حجيرة مادة الغسل أوتوماتيكياً في الوقت المناسب تبعاً للبرنامج. قد يسبب استخدام مادة غسل غير مصممة لغسالات الأطباق إلحاق الضرر بالجهاز.

ملء خزان الملح

يعمل استخدام الملح على منع تكون الترسبات الجيرية على الأطباق وعلى المكونات الوظيفية للغسالة.

- يوجد خزان الملح في الجزء السفلي من غسالة الأطباق (أسفل الرف السفلي على الجانب الأيسر).
- يلزم بشكل صارم ألا يكون خزان الملح فارغاً.
- من المهم ضبط درجة عسر الماء.
- يجب ملء الملح عندما تضئ لمبة بيان إعادة تعبئة الملح (3) على لوحة التحكم.

- أخرج الرف السفلي وقم بفك غطاء الخزان (عكس اتجاه عقارب الساعة).
- ضع القمع (انظر الشكل) واملأ خزان الملء حتى حافته (حوالي 0,5 كجم)، يعتبر تسرب قدر بسيط من الماء أمراً عادياً.
- فقط عند تشغيل الجهاز لأول مرة قم بالتالي: املأ خزان الملح بالماء.
- أخرج القمع وامسح أية بقايا للملح من الفتحة.

تأكد أن الغطاء مربوط بإحكام، بحيث لا تصل مادة الغسل إلى الخزان أثناء عمل برنامج الغسيل (قد يتسبب هذا في إلحاق أضرار بمزيل عسر الماء لا يمكن إصلاحها).

وقتما تريد إضافة الملح، يلزم إتمام ذلك قبل بدء دورة الغسيل لتجنب حدوث صدأ.

ضبط درجة عسر الماء

لضمان عمل مزيل عسر الماء بشكل مثالي، من الضروري أن يتم ضبط مستوى عسر الماء طبقاً لدرجة عسر الماء الحقيقية في منزلك. يمكن معرفة هذه المعلومة من مرفق المياه المحلي. إعداد المصنع هو "3". انظر "جدول عسر الماء". للتغيير، اتبع التعليمات في الجزء "إعداد القائمة".

اقتصر على استخدام الملح المصمم خصيصاً لغسالات الأطباق.

بعد سكب الملح في الغسالة تنظف لمبة بيان إعادة ملء الماء.

إذا كان وعاء الملح غير ممتلئ، قد يتلف عندئذ مزيل عسر الماء وعنصر التسخين نتيجة التراكمات الكلسية.

يُنصح باستخدام الملح مع أي منظف من منظفات غسالة الأطباق.

400011648252E
05/2023 dk - Xerox Fabriano

