

Register your product online

網上登記新產品保養

Save the planet and register your product warranty online!
Enjoy extra 1-month free warranty upon online registration.

「惠」環保出力，減少用紙！於網上登記產品更可獲額外多一個月保養。



<https://rebrand.ly/WPwarranty>

Whirlpool® Registered trademark/TM Trademark of Whirlpool group of companies
All rights reserved - <http://www.whirlpool.com.hk>

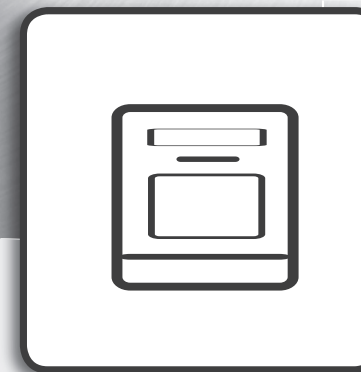
註冊商標/惠而浦集團的TM商標

版權所有 翻印必究 - <http://www.whirlpool.com.hk>



Whirlpool

Whirlpool



User Manual and Online Warranty Registration Information

產品說明及網上登記保養資料

Model 產品型號 : WCTD104HK



www.whirlpool.com.hk

ENGLISH	3
繁體中文	21

USER MANUAL

INDEX

USER MANUAL	3
1) Safety Information	4-5
2) Installation Instruction	6
3) Operation Instruction	7
Control Panel	7
Dishwasher Features	7
4) First Time Use & Daily Use	8
First Time Use	8
Daily Use	8
5) Loading the Cutlery Basket & the Rack	9-11
Loading the Cutlery Basket	9
Loading the Rack	9
Foldable Tip-up Supports	9
Suggestions for Tableware Selection	10
Precautions for Tableware Placing	11
Damage to Glassware & Other Dishes	11
At the End of the Wash	11
6) Starting a Washing Program	12-13
Program Table	12
Turning on the Appliance	13
Add Dishes During Program Operation	13
7) Maintenance & Cleaning	13-16
Cleaning the Filter	13
Cleaning the Sprayer	14
Remove Limescale	14
Cleaning the Dishwasher	15
Advice and Tips	15-16
8) Troubleshooting Tips	17-19
Problems	17
Before Calling for Services	18-19
9) Technical Information	20

1. SAFETY INFORMATION

⚠ WARNING!

When using your dishwasher, you should follow the basic precautions as follow:

⚠ WARNING! HYDROGEN GAS IS EXPLOSIVE

Under certain conditions, hydrogen gas may be produced in a hot-water system that has not been used for two weeks or more. HYDROGEN GAS IS EXPLOSIVE. If the hot-water system has not been used for such a period, before using the dishwasher, turn on all hot-water faucets and let the water flow from each for several minutes. As the gas is flammable, do not smoke or use an open flame during this time.

⚠ WARNING! PROPER USE

- Do not abuse, sit on, or stand on the door or dish basket of the dishwasher.
- Do not touch the heating element during or immediately after use.
- Do not operate your dishwasher unless all enclosure panels are properly in place. Open the door very carefully if the dishwasher is operating. There is a risk of causing water to squirt out.
- Do not place any heavy objects or stand on the door when it is open. The appliance could tip forward.
- When loading items to be washed:
 - Locate sharp items so that they are not likely to damage the door seal;
 - Load sharp knives with the handles up to reduce the risk of cuts;
 - Knives and other utensils with sharp points must be loaded in the basket with their points down or placed in a horizontal position.
- When using your dishwasher, you should prevent plastic items from contacting with heating element.
- Check that the detergent receptacle is empty after completion of the wash cycle.
- Do not wash plastic items unless they are marked "dishwasher safe" or the equivalent. For plastic items not so marked, check the manufacturer's recommendations.
- Use only detergent and rinse additives designed for an automatic dishwasher. Never use soap, laundry detergent, or hand washing detergent.
- Other means for disconnection from the supply must be incorporated in the fixed wiring with at least 3mm contact separation in all poles.
- Extension cord are not allowed to connect the appliance.
- Keep children away from detergent and rinse aid. Keep children away from the dishwasher, there could still be some detergent left inside.
- Young children should be supervised to ensure that they do not play with the appliance.
- This appliance is not intended for use by persons (including children) with reduced physical, sensory or mental capabilities, or lack of experience and knowledge, unless they have been given supervision or instruction concerning use of the appliance by a person responsible for their safety.
- Dishwasher detergents are strongly alkaline. They can be extremely dangerous if swallowed. Avoid contact with skin and eyes, and keep children away from the dishwasher when the door is open.
- The door should not be left in the open position since this could lead to a tripping hazard.
- If the supply cord is damaged, it must be replaced by the manufacturer, its service agent or a similarly qualified person in order to avoid a hazard.
- Please dispose the packing materials properly.
- During installation, the power supply must not be excessively or dangerously bent or flattened.
- Do not tamper with controls.

- The appliance is to be connected to the water mains using new hose sets, and the old hose-sets should not be reused.
- Make sure that the carpet must not obstruct the openings at the bottom base.
- Use the dishwasher only for its intended function.
- Make sure the socket which the dishwasher connects to is properly grounded.

This appliance is intended to be used in household and similar applications such as:

- staff kitchen areas in shops, offices and other working environments;
- farm houses;
- by clients in hotels, motels and other residential type environments;
- bed and breakfast type environments.

**READ AND FOLLOW THIS SAFETY INFORMATION CAREFULLY
SAVE THESE INSTRUCTIONS**

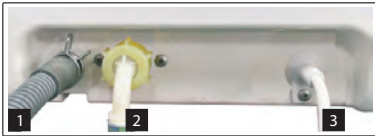
IMPORTANT!

To get the best performance from your dishwasher, read all operating instructions before using it for the first time.

2. INSTALLATION INSTRUCTION

! This dishwasher should be installed before use. Please do not use the machine before inlet hose and draining hose are installed!
Install pipes and power cord at the corresponding installation openings.

Pipe Opening Installation



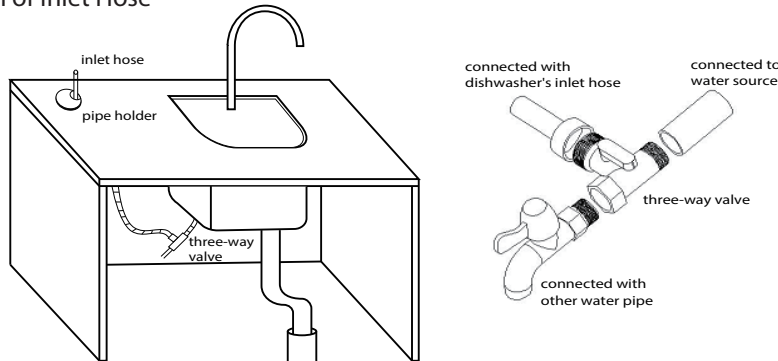
1. Draining hose
2. Inlet hose
3. Power cord

Installation of Draining Hose



1. The opening of draining hose
2. Insert the "double wire clamp" into the draining hose
3. Put the draining hose into the installation opening and buckle the "double wire clamp" inward.

Installation of Inlet Hose



Installation Steps:

1. Turn off the water supply before installation.
2. Drill a hole about 50mm in diameter and install the pipe holder on the desk.
3. Set the dishwasher on the desk and connect it to inlet hose and draining hose* properly. Pass the other end of the inlet hose through the pipe holder and connect it with the three-way valve.
4. Ensure that the three-way valve is connected with a fixed cold water supply.
5. Turn on the water supply again to complete the installation.

*NOTE: Please make sure the drain hose is not squeezed or lifted during washing. The dishwasher might not work properly if the drain hose is hung 25cm higher than the dishwasher drain outlet.

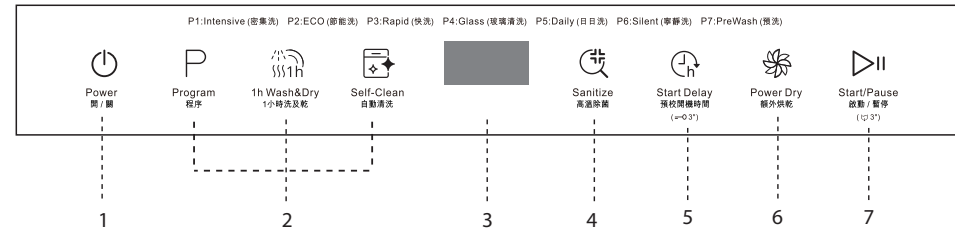
- The other end of the draining hose can be placed in a sink directly or connected to a drainage port under the sink by passing the draining hose through the pipe cover.
- Please contact the service provider for assistance.

! WARNING!

Do not use water with higher than 35 degree. It would affect the actual execution time and shorten the life of the pipe. If the water pipe is new or has not been used for an extended period of time, let water run before using it. A blocked water inlet may cause damage to the appliance.

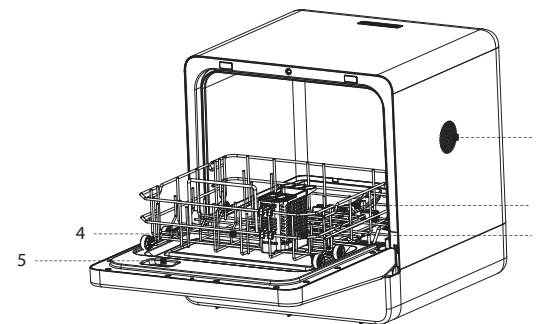
3. OPERATION INSTRUCTION

Control Panel



1. Power switch: To turn on/off the power supply.
2. Program button: Press the button to scroll through the wash cycles. Press the "P" button, you can select P1-P7 programs that are shown on the panel, or select program shortcut button "1h Wash & Dry" or "Self-Clean".
3. Display: After program selection, time and program indicators will be shown alternatively.
4. Sanitize: This function can be used with all programs (Except Pre-wash), for which it will automatically enter into high-temperature sterilizing washing mode after programmed washing ends. Sanitize cannot be selected independently. The indicator will be available when the "Sanitize" function is selected.
5. Start Delay: you can delay start time of any cycle automatically from 1 to 24hours. After the dishwasher starts, you can press the button for 3 seconds to activate the "Child Lock". The "Child Lock" function will block the control panel, and "Lo" will be displayed. Any key press on the panel will cause a beep sound. To deactivate the "Child Lock", you can press the "Start Delay" button for 3 seconds again.
6. Power Dry: This function can be used with all programs (Except Pre-wash), for which it will automatically enter into high-temperature sterilizing washing mode and extend the drying duration for an upgraded drying performance. The indicator will be available when the "Power Dry" function is selected.
7. Start/Pause button: the dishwasher will start or pause the expected washing cycle. After the dishwasher starts, press the button for 3 seconds, the dishwasher drains.

Dishwasher Features



Front View

1. Air Inlet Inflow
2. Spray Arms
3. Cutlery Basket
4. Dish Basket
5. Detergent box

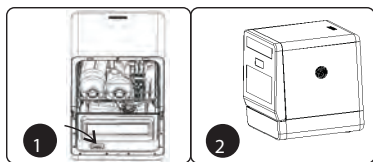
4. FIRST TIME USE & DAILY USE

First Time Use

1. Check the water connection before switching on the dishwasher.
2. Put in detergent powder/ 3-in-1 dishwasher tablet.
3. Clean the dishwasher with 72°C by selecting "Self-Clean" program without loading the rack.

Daily Use

1. Check the water connection
Check that the dishwasher is connected to the water supply and that the tap is open.
2. Switch on the dishwasher
Plug in. Press the "Power" button. Do not plug in with wet hand to prevent electric shock.
3. Tableware placing
Remove larger residue and load the rack (Details refer to "Loading the Cutlery Basket & the Rack")
4. Filling the detergent box
Put in proper amount of specialized detergent powder/ 3-in-1 dishwasher tablet and close the dishwasher door.



⚠ WARNING!

Please use detergent powder designed especially for dishwasher. Other solvent like cleanser essence should not be used for replacement. Make sure the dishwasher door is closed!

5. Choose the program and functions
Select the most appropriate program and function in accordance with the type of crockery and its soiling level.



NOTE: The machine will memorise the latest program and function setting automatically. Next time when you turn on the dishwasher, memorised setting will be shown up automatically and you can click the Start button directly to run the program.

6. Modify a running program

1. Press the "Power" button to turn off the dishwasher
2. Press the "Power" button
3. Choose correct washing program
4. Press "Start/Pause" button to start washing

⚠ WARNING!

1. During the washing process, if you want to open the door, press "Start/Pause" first and wait until the machine stops operate. When you close the door again, please press "Start/Pause" again to continue the washing cycle.
2. Washing requires certain time, please be patient.

5. LOADING THE CUTLERY BASKET & THE RACK

For best performance of the dishwasher, follow these loading guidelines.

Figure (1) and Figure (2) are schematic diagram of tableware placing in the cutlery basket only for your reference. You may also place cutlery based on actual demand.

Loading the Cutlery Basket

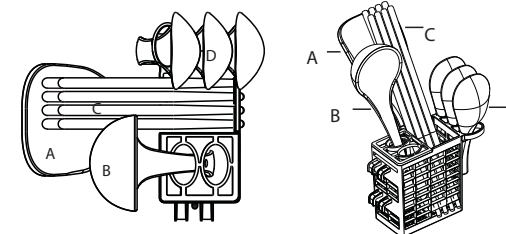


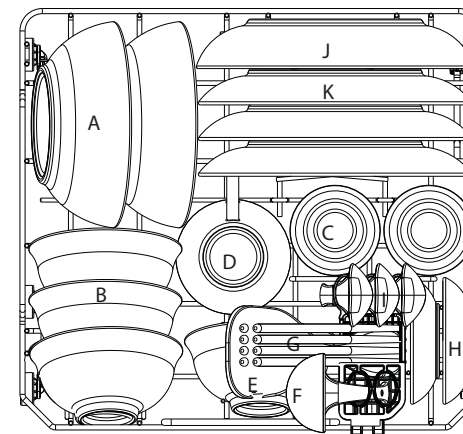
Figure (1)

Figure (2)

- A. Rice spoon
- B. Soup spoon
- C. Chopsticks
- D. Small soup spoon

Loading the Rack

1. You are recommended to place tableware as per the standard of the following figure.
2. No more than 24 pieces of tableware should be placed in one time.
3. The weight of dishes should be less than 4300g.



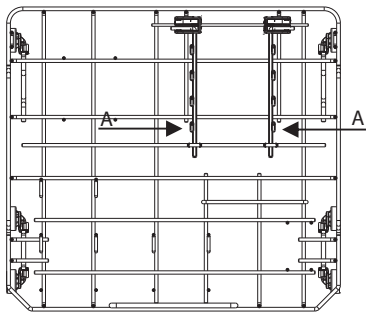
Tableware/ Pieces

- A. Noodle bowl (2)
- B. Rice bowl (4)
- C. Glass cup (2)
- D. Tea cup (1)
- E. Rice spoon (1)
- F. Soup spoon (1)
- G. Chopsticks (4)*
- H. Seasoning dish (2)
- I. Small soup spoon (3)
- J. Deep plate (1)
- K. Shallow plate (3)

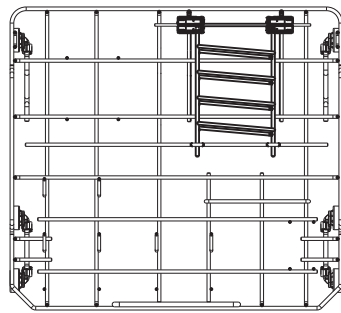
*pairs

Foldable Tip-up Supports

The rack has tip-up supports that you can arrange plates in a vertical position or load larger tableware easier in a horizontal position. This design makes the space more customized for your demand.



A : Foldable tip-up supports



Two foldable rows folded inward

After tableware placing, push back the rack into the dishwasher.

Suggestions for Tableware Selection

General household tableware can be washed in the dishwasher. However, the washing environment (temperature, detergent powder, etc.) in the dishwasher may have varied impact on tableware of different materials.

Tableware	Notes
Wooden products	Wooden bowl, plate, utensil and chopping board and wooden tableware handle may deform or crack under high temperature.
Plastics products	Plastic tableware of light weight may turnover or drop during washing process, or may crack due to the high temperature.
Ceramic products	Usually it can be washed in the dishwasher. Some antiquing tableware with colorful paints may fade after repeated wash. (Hand wash may also fade the color)
Glass products	Usually it can be washed in the dishwasher. Some glass tableware with color painted may fade after repeated wash. (Hand wash may also fade the color) Some glass may present poorer transparency after repeated wash.
Stainless steel, aluminum and other metal products	Gloss finish of this tableware may deteriorate after repeated wash (hand wash may also darken the tableware). Knife, fork and spoon should be placed in the grids based on different materials. Metal products that can easily rust should not be placed in the dishwasher.
Golden, silver and other expensive	This type of tableware should not be washed in the dishwasher, as the gloss finish may deteriorate.
Small opening bottle	Small opening bottle cannot be washed in the dishwasher, as the small opening may cause poor cleaning effect.
Rag and other cleaning products	Rag and other cleaning products cannot be washed in the dishwasher to prevent any machine failure.

Precautions for Tableware Placing

To realize best washing effect and optimal dishwasher performance, please follow the operation methods specified below:

1. Before loading tableware, remove larger food residue.
2. Tableware should be placed with certain gap in between, mounted on side with concave side facing down. Place the tableware in order and avoid collision, which will facilitate water flow.
3. Tableware should be placed steadily to avoid ponding in bowl and cup due to turnover during the washing process.
4. Tableware placed should not extend from the basket bottom to avoid interferences with the spray arm.
5. Small-sized objects will drop from the basket easily. Please do not wash these objects with the dishwasher.
6. Knives and other utensils with sharp edges must be placed in the cutlery basket with the points facing downwards.

NOTE: Do not put in items that are dirty of cigarette ash, candle wax, lacquer or paint. If you buy new dishes please make sure that they are suitable for dishwasher.

⚠ WARNING! Do not let any item extend through bottom

NOTE: Please do not overload your dishwasher. No more than 24 pieces of tableware should be placed in one time. Do not use dishes that is not suitable for dishwasher. This is important for good results and for reasonable energy consumption. Besides, the weight of dishes should be less than 4300g.

Damage to Glassware and Other Dishes

Possible causes:

- Type of glass or manufacturing process. Chemical composition of detergent.
- Water temperature and duration of dishwasher program.

Suggested remedy:










- Use glassware or porcelain dishes that have been marked dishwasher-proof by the manufacturer.
- Use a mild detergent that is described as kind of dishes. If necessary, seek further information from detergent manufacturers.
- Select a program with a lower temperature.
- To prevent damage, take glass and cutlery out of the dishwasher as soon as possible after the program ended.

At the End of the Wash

When the working cycle has finished, the buzzer of dishwasher will ring for 6 times, then stop. Turn off the appliance by pressing the "Power" button. Shut off the water supply and open the door of the dishwasher. Wait for a few minutes before unloading the dishwasher to avoid handling the dishes and utensils while they are still hot and more susceptible to breakage. Dishes will also dry better.

6. STARTING A WASHING PROGRAM

Program Table

Program	Program Details	Mainwash Temp. (°C)	Running Time(min)	Detergent* Powder(g)
1.  Intensive	This program is suitable for dishes difficult to wash. However, it is not applicable to dishes which cannot be washed with high temperature water.	(50°C)	147	6-10
2.  ECO	This program is more reasonable in terms of energy consumption compared with other programs. We suggest using this program for dishes without heavy oil and hard to wash.	(55°C)	139	9
3.  Rapid	This program consumes less time and energy. It is suitable for small quantity dishes which are easy to wash.	(50°C)	28	6-10
4.  Glass	Cycle for delicate items and lightly soiled loads, such as glasses.	(50°C)	76	6-10
5.  Daily	Normally soiled crockery. Everyday cycle that ensures optimal cleaning performance in a shorter time.	(55°C)	90	6-10
6.  Silent	Suitable for night-time operation of the appliance. No buzzer will ring after the washing cycle. Optimum performance ensured.	(50°C)	162	6-10
7.  Pre-wash	To rinse dishes that you plan to wash later that day.	/	14	/
8.  1 h Wash & Dry	Light to normally soiled crockery. Everyday program suitable for non-dried and fresh soiling, assuring clean and dried dishes in just 60 mins.	(50°C)	60	6-10
9.  Self-Clean	Program to be used to perform maintenance of the dishwasher. It cleans the interior of the appliance using hot water.	(72°C)	38	6-10

*If 3-in-1 dishwasher tablet (rinse aid, salt and detergent in 1 dose) is used, please put the whole tablet in the detergent box directly.

Turning on the Appliance

Starting a wash cycle...

1. Draw out the rack, load the dishes and push it back. And then pour in the detergent.
2. Insert the plug into the socket.

Make sure that the water supply is turned on to full pressure. Close the door, press the "Power" button, press the program button to select a desired Wash cycle. (See the section entitled "Program Table") . With a little force to ensure the door is properly closed.

NOTE: A click could be heard when the door is closed perfectly.

Add Dishes During Program Operation

1. Press "Start/Pause" button
2. Open the dishwasher door
3. Pull out the rack and put in left-out tableware
4. Push back the rack into the dishwasher
5. Close the dishwasher door
6. Press Start again to re-start the dishwasher

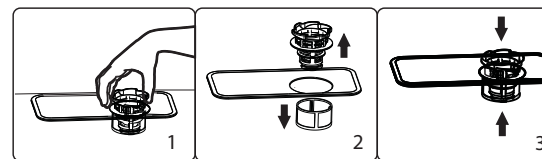
⚠ WARNING!

1. After pressing Pause, don't open the door before the machine stops operate to prevent scald danger!
2. Watch out for the steam and hot water when opening the door!
3. Carefully check if the door is closed!
4. Before re-starting the dishwasher, please check the settlement of the tableware and confirm if there is any tableware extending out from the bottom of the rack!

7. MAINTENANCE & CLEANING

The filtering system is equipped for preventing large food residue or other objects from entering the washing pump. Food residue sometimes may block the filtering system.

Cleaning the Filter



1. Rotate to the left to take out the filter.
2. The filter is made of three parts; please disassemble to wash.
3. After cleaning, assemble the filter and then install it back to the dishwasher.

Filter Assembly

To obtain optimal cleaning performance and effect, the filter assembly must be cleaned. The filtering net can remove food particles in water during the washing cycle. The entire filter assembly should

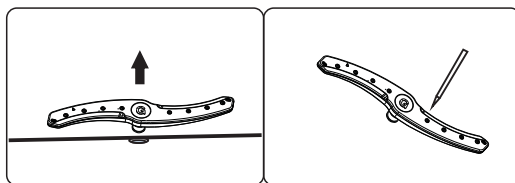
be cleaned once per week. Please use cleaning brush to clean the rough and fine filter, and reinstall into the dishwasher. The dishwasher should not be used without filter or with improper filter. Otherwise, the equipment may be damaged, and the washing performance may be reduced.

⚠ WARNING!

1. Do not operate the dishwasher without filter.
2. Do not touch the filter during washing cycle, which may cause filter deformation and poor washing performance.

Cleaning the Sprayer

Sprayer should be cleaned periodically, as the substances in tap water may block the sprayer holes and spinning axle. Use mild soap water to rinse the sprayer and brush the sprayer holes gently. Install the sprayer back to the dishwasher.



- Pull the sprayer upward
- Use fine tool to clean the sprayer holes

⚠ WARNING!

Never use a spray cleaner to clean the door panel for it could damage the door lock and electrical component. Do not use abrasive agent. Stainless steel surface may be badly scratched by the extensive or repeated use of abrasives.

Remove Limescale

In areas with harder water quality, white limescale may accumulate on the tub and heating plate of the dishwasher. Limescale will impact heating effect of the heating panel. Thus, the heating panel should be cleaned periodically.

1. Remove the filter and place it into the rack.
2. Start the "Self-Clean" program (no other tableware should be placed in the rack). After an operation of 2-10 minutes, press "Pause" and open the dishwasher.
3. Add amount 100ml vinegar or 50g anti-scaling agent and resume the washing program.
4. When the program ends, you may take a towel and wipe away the thin film on the heating plate gently. If there is any vinegar smell or anti-scaling agent residue in the dishwasher, you can run a "Self-Clean" washing program with the "Sanitize" option for removal without any tableware or detergent placed in the dishwasher.

Notes

If the limescale accumulate excessively, add more vinegar or anti-scaling agent with over 200ml vinegar and anti-scaling agent (between 75 and 150g). After cleaning, use a towel or brush to clean the heating plate.

Cleaning the Dishwasher

- To clean the control panel, use wet cloth wipe it gently and let it dry thoroughly. Use good polishing products to clean the exterior.
- Use tools such as a cotton swab to remove water droplets or food stuck in the door edge and the plastic strip.
- Do not use any sharp objects, steel wool or fierce detergent to clean any part of the dishwasher.

Anti-freezing protection:

If the dishwasher is placed under 0°C environment, you are suggested to find customer service for taking following measures:

1. Cut off the dishwasher power.
2. Close water supply equipment and break connection between the inlet hose and faucet.
3. Discharge remaining water from inlet hose and water valve (catch the water with a plate).
4. Re-connect the inlet hose and faucet.
5. Take out the filter from the tub and dry the water cup with sponge.

⚠ Attention:

The installation of the pipes and electrical equipments should be done by professionals.

⚠ Warning!	
	<p>Electrical Shock Hazard! Disconnect electrical power before installing dishwasher. Failure to do so can result in death or electrical shock.</p>

Advice and Tips

After Every Wash

- After every wash, please cut off the power and open the door to prevent dampness and the generation of odor. Dishes will also dry better.
- Please use dry clean towels to clean the door and the interior of the dishwasher after every wash to remove water spots and water droplets.

Remove the Plug

Before cleaning or performing maintenance, always remove the plug from the socket.

No Solvents or Abrasive Cleaning

To clean the exterior and rubber parts of the dishwasher, do not use solvents or abrasive cleaning products. Use only a cloth and warm soapy water. To remove spots or stains from the surface of the interior, use a cloth dampened with water and a little white vinegar, or a cleaning product made specifically for dishwasher.

When you are on holiday

Before you are on holiday, please operate the dishwasher by selecting a "Self-Clean" program with a "Sanitize" option. Then cut off the power, close the water inlet and slightly open the door of the dishwasher.

Moving the Appliance

If the appliance must be moved, you should try to keep it in the vertical position. If absolutely necessary, it can be positioned on its back.

Seals

One of the factors that cause odors to form in the dishwasher is food that remains trapped in the seals. Periodic cleaning with a damp sponge will prevent this.

WARNING!

1. Please carefully read the user manual as it contains important information including safety information, installation and operation instruction and product maintenance.
2. Please keep the user manual in a safe place for future reference.
3. If the product is sold, presented or moved, please make the user manual along with the machine for new user's reference and benefit.

8. TROUBLESHOOTING TIPS

Problems

When some malfunctions happen, the appliance will display error codes to warn you.

Error Codes	Meaning	Possible Cause
E1	Opening door	The door is opened when the dishwasher is operating.
E2	Water inlet warning	1. Components damages; (e.g. inlet valve damage, flow meter damage) 2. No water flow in; (water tap and inlet hose is not connected correctly to the inlet valve) 3. Line break. (flow meter is off)
E3	Drain failure	1. Residues stuck at drain inlet; 2. Drain hose is squeezed or lifted; 3. Drain pump damage.
E4	Temperature	Temperature sensor malfunction.
E5	Overflow/Leakage	Overflow occurs. Water leakage occurs.
E6	Water shortage warning	1. Water is leaking; 2. Washing pump stops operation and the micro switch is off.
E7	Heating warning	Heating panel is not heating, temperature controller on the heating panel is off (one temperature controller should be restored manually and the other automatically).
E10	High water level warning	Water flow volume exceeds setting value.

Before Calling for Service

Reviewing the charts on the following pages may make you be free of calling for service.

Problem	Possible cause	Troubleshooting
The dishwasher does not run	Power outage.	Ensure the power plug has correctly connected to power source. Ensure the dishwasher has been powered on and the door is well closed.
	Water pressure is low	Check the water supply equipment and ensure the faucet is turned on.
Noise	Dishes are rattling against each other.	Position the crockery correctly.
	Mechanical sound	Sound generated from water flow when rinsing the tableware.
	Sound of the washing pump	The dishwasher is not used frequently. If so, ensure water inlet and discharge every week, which will help keeping the sealing moisturized.
Bubble in tub	Improper use of detergent powder	To avoid bubble generation, please use detergent powder or 3-in-1 dishwasher tablet especially designed for dishwasher.
		If bubble generates, open the dishwasher first to let the bubble evaporate, then close the machine door and press "Start/Pause" button for 3 second to discharge water; repeat the above procedure until the bubble are cleared.
Dots and membrane substance on tableware	<ol style="list-style-type: none"> Excessively hard water Excessively low temperature of inlet water Overload use of the dishwasher Incorrect loading Use overdue or damp detergent Wrong adding of detergent powder 	<p>Remove dots on glass cups</p> <ol style="list-style-type: none"> Take out all metal devices in the dishwasher Do not add detergent powder Choose the longest washing program Start the dishwasher and operate for 18-22 minutes, then the machine will enter main washing process. Open the dish washer, pour two spoons of vinegar into the bottom inner container. Close the door of the dishwasher and complete the washing program. If the vinegar does not work, repeat the above procedure and use 1/4 spoon (60ml) of lemon juice crystal to replace the acetic acid.

Fault	Possible cause	Troubleshooting
Tableware not cleaned	Improper washing program selected	Choose more intense washing program for cleaning.
	Wrong dish basket loading	Do not let large tableware intervene with the rotation of the sprayer.
White thin film on inner surface	Hard water minerals	Clean the inner container of the dish washer; use sponge dipped with detergent power and wear rubber gloves to clean the dishwasher. Please don't use other detergents which may cause bubble generation.
Steam	Normal phenomenon	A small number of steam will spray out from vent hole of the dishwasher during the drying and water discharge process of the program.
Black-grey dots on tableware	Abrasion between aluminum products and dishes	Use mild detergent to clear the stains.
Water residue at inner contain bottom	Normal	A small number of water at inner container bottom can keep the sealing moisturized.
Water leakage of the dishwasher	The dish washer is not kept level	Keep the machine level.
Stains on inner container	Colored detergent powder is used	Please use single-color detergent powder.
Dark dots on glassware	Too much detergent powder	Select washing program with shorter washing time.

9. TECHNICAL INFORMATION

Model	WCTD104HK
Standard loading	Up to 24 pieces (See the section entitled "Loading the Rack")
Height	43.0cm
Width	41.0cm
Depth (with connectors)	40.0cm
Power consumption	750W
Rated voltage / frequency	220V/50Hz
Water pressure / (flow pressure)	0.03-0.6MPa

NOTE : The above values have been measured in accordance with standards under specified operating conditions. Results may vary greatly according to quantity and pollution of the dishes, water hardness, amount of detergent, etc.

使用說明書

索引

使用說明書	21
1) 安全指引	22-23
2) 安裝指引	24
3) 操作指引	25
控制面板	25
洗碗碟機結構	25
4) 首次使用及日常使用	26
首次使用	26
日常使用	26
5) 餐具籃及層架碗碟放置	27-29
餐具籃	27
餐具層架	27
翻倒支撐設計	28
餐具及碗碟選用建議	28
餐具放置的注意事項	29
玻璃或其他碗碟損壞的可能原因	29
洗滌終結時	29
6) 開始清洗程序	30-31
程序表	30
啟動洗碗碟機	31
添加碗碟	31
7) 保養和清潔	31-34
清潔過濾器	31
清潔噴灑臂	32
移除水垢	32
清潔洗碗碟機	33
建議與提示	33-34
8) 疑難排解提示	35-37
疑難	35
致電維修服務前	36-37
9) 參數表	38

1. 安全指引

⚠ 警告！
使用洗碗碟機時，請遵循下列操作指引：

⚠ 警告！ 氫氣具有爆炸性

於特定條件下，氫氣可能在兩週或更長時間內未使用的熱水系統中產生。氫氣是具有爆炸性的。如果這段時間內未曾使用熱水系統，在使用洗碗碟機之前，請先打開所有熱水龍頭，讓水流動數分鐘。這樣可將積聚的氫氣釋放出來。由於氫氣屬易燃，過程中請勿吸煙或使用明火。

⚠ 警告！ 正確使用

- 請勿濫用、坐在或站立在洗碗碟機的機門或餐具層架上。
- 洗碗碟機運作中及剛運作完畢時，請勿立即接觸發熱元件。
- 在洗碗碟機沒有安裝好之前，請不要使用洗碗碟機。在洗碗碟機運作時打開機門，請額外小心，水會有濺出的風險。
- 當洗碗碟機機門打開時，請勿將重物放置在機門上，以免洗碗碟機翻倒造成危險。
- 放置需要清洗的碗碟時：
 - 注意切勿讓帶有鋒利邊緣的器皿刮傷機門上的密封條；
 - 刀的把手必須朝上放置，以避免被刮傷；
 - 刀和其他鋒利的餐具必須尖端朝下或水平放置在餐具籃裏；
 - 使用洗碗碟機時，必須避免讓塑膠物件接觸發熱元件。
- 於洗滌完結束後，請檢查洗碗碟機專用清潔劑槽是否已經清空。
- 請不要洗滌塑膠餐具，除非該餐具被標示為可安全供洗碗碟機洗滌。沒有相關標示的塑膠餐具，請直接尋求餐具製造商的建議。
- 只可使用專門為洗碗碟機而設的洗碗碟機清潔粉或三合一清潔片。不能使用肥皂、洗潔精、或其他手洗清潔劑。
- 必須將電源連接固定接線，並且所有兩極之間至少要有3mm的觸點間隔。
- 不允許使用延長線連接設備。
- 讓兒童遠離清潔劑及正打開機門的洗碗碟機，內裏或依然有清潔劑殘留。
- 為了避免兒童把玩洗碗碟機造成危險，兒童必須於監督下使用洗碗碟機。
- 具有肢體、感官/精神障礙，或經驗與知識不足的人士(包括兒童)不適合操作此洗碗碟機。除非此等人士於能確保其安全的人士的輔助下使用洗碗碟機，或已接受相關安全指導。
- 洗碗碟機清潔粉具有強烈鹼性，誤食將會非常危險。請避免皮膚和眼睛接觸到洗碗碟機清潔粉。
- 洗碗碟機機門必須經常保持關閉，以避免翻倒造成危險。
- 若電源線損毀，必須由製造商、服務單位或合資格技術人員更換，以免造成危險。
- 請適當棄置包裝物料。
- 安裝過程中，不得過分或危險地彎曲或弄平電源線。
- 不得嘗試篡改洗碗碟機組件。

- 請使用新的水管將洗碗碟機連接到供水，舊的水管不得重複使用。
- 請確保地毯不得阻塞洗碗碟機底部的開口。
- 洗碗碟機只能用於其預設功能。
- 請確保洗碗碟機連接的插座正確接地。

此洗碗碟機旨在用於家居用途和相類似應用，例如：
 – 員工使用於商店內的廚房區域、辦公室和其他工作場所；
 – 農舍；
 – 客戶使用於酒店、汽車旅館和其他住宅類型中；
 – 提供住宿及早餐的民宿

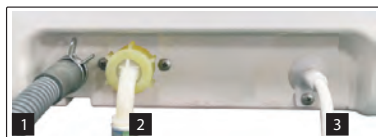
仔細閱讀、遵循並保存此安全指引

重要事項!
首次使用洗碗碟機前，
請仔細閱讀操作指引以達至最佳洗滌效果。

2. 安裝指引

! 此洗碗碟機需要安裝才能使用，請勿在沒有安裝入水喉及排水喉前使用洗碗碟機。

安裝喉管與電源線



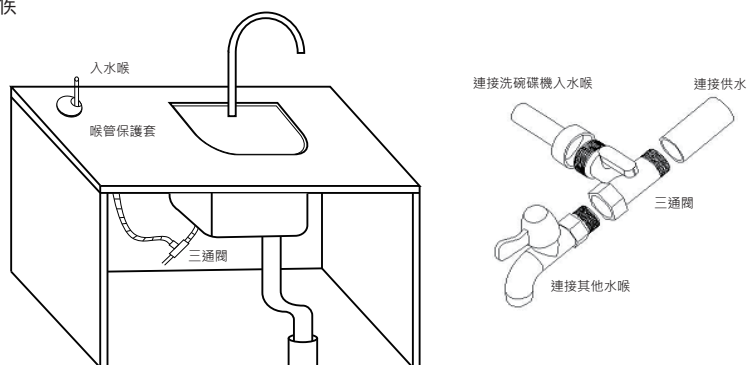
1. 排水喉
2. 入水喉
3. 電源線

安裝排水喉



1. 排水喉安裝口
2. 將「雙線箍」套入排水喉
3. 將排水喉套入安裝口，並往內扣上「雙線箍」

安裝入水喉



安裝步驟：

1. 於安裝前關閉供水系統。
2. 於枱面鑽出直徑50毫米的鑽孔並把喉管保護套安裝於鑽孔中。
3. 把洗碗碟機放於枱面，把入水喉及排水喉*正確連接到洗碗碟機。把入水喉的另一端穿過喉管保護套並連接到三通閥上。
4. 確保三通閥正確連接到固定的冷水供水系統。
5. 再次打開供水系統並完成安裝。

*注意: 請確保在清洗程序進行中，排水喉沒有被擠壓或提起來。若排水喉的懸掛高度比洗碗碟機的排水口高於25厘米，或會導致洗碗碟機未能正常運作。

- 排水喉的另一端可直接放置於洗手盤或穿過喉管保護套以連接到由服務提供者或合資格技術人員建議的排水口。

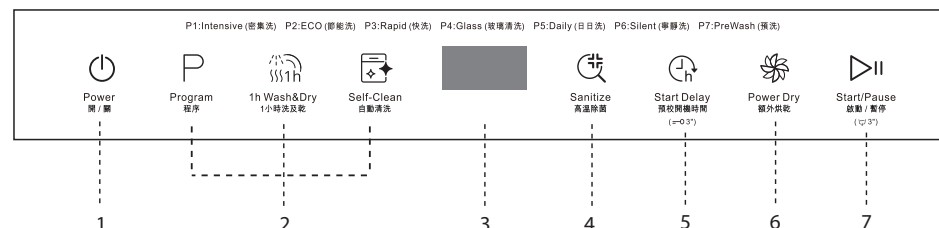
- 請聯繫服務提供者以尋求進一步協助。

! 警告！

不要使用水溫高於35度的供水。這可能會影響洗碗碟機的運作時間及縮短喉管的壽命。如果水管是新的或長時間未使用，請連接水源並讓水流經水管。被堵塞的水管可能會導致機器損壞。

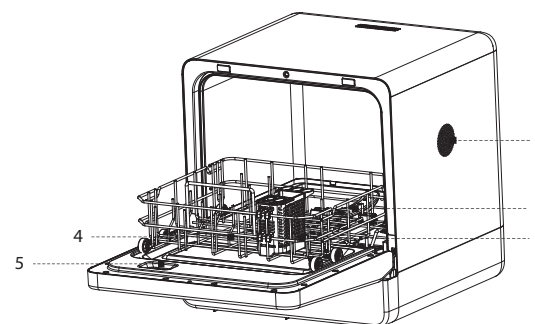
3. 操作指引

控制面板



1. 電源開關：按下「開/關」鍵啟動電源。
2. 程序鍵：按下「P」鍵，可以選擇顯示在面板上的P1-P7程序。或可直接按下程序快捷鍵「1小時洗及乾」或「自動清洗」。
3. 顯示屏：選擇程序後，可見時間及程序代碼交替顯示。
4. 高溫除菌功能鍵：此功能可適用於所有清洗程序(預洗除外)，但不能單獨使用。選擇高溫除菌後，洗碗碟機將自動進入高溫除菌洗滌模式，相應圖標亦會亮起來。
5. 預校開機時間選項：您可以將任何洗滌的開始時間最多延遲1-24小時。洗碗碟機啟動後，長按此鍵3秒鐘，可啟動「兒童鎖」，兒童鎖將會鎖著控制面板，顯示屏會顯示「Lo」。此情況下觸碰任何按鍵都會有提示音。若需解除兒童鎖，請再次按此鍵3秒鐘。
6. 額外烘乾功能鍵：此功能可適用於所有清洗程序(預洗除外)，但不能單獨使用。選擇額外烘乾功能後，漂洗溫度將會提升，並延長風機啟動時間以達至更佳烘乾效果，相應圖標亦會亮起來。
7. 啟動/暫停鍵：按下此鍵後，洗碗碟機將啟動或暫停清洗程序。洗碗碟機啟動後，長按此鍵3秒鐘，洗碗碟機將啟動強制排水。

洗碗碟機結構



正面圖

1. 氣孔
2. 噴灑臂
3. 餐具籃
4. 餐具層架
5. 洗碗碟機專用清潔劑槽

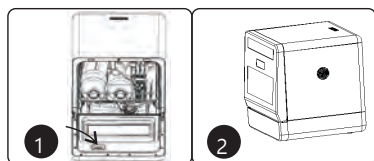
4. 首次使用及日常使用

首次使用

1. 開啟洗碗碟機前，首先檢查水源接駁。
2. 放入洗碗碟機專用清潔粉/3合1洗碗碟機清潔片。
3. 於沒有負載下選擇「自動清洗」，用72°C水溫清潔洗碗碟機一次。

日常使用

1. 檢查水源接駁
檢查洗碗碟機是否正確連接至供水系統，而水龍頭呈開啟狀態。
2. 開啟洗碗碟機
連接電源。按下「開/關」鍵。請勿用已沾濕的手接駁電源以避免觸電風險。
3. 餐具放置
清除較大的食物殘渣並放置碗碟至餐具層架（詳情請參閱「餐具籃及層架碗碟放置」篇章）
4. 放入洗碗碟機專用清潔粉
放入適量的洗碗碟機專用清潔粉/3合1洗碗碟機清潔片，並關上洗碗碟機機門。



警告！

請使用專為洗碗碟機而設計的專用清潔劑。不應使用其他溶劑（如家居清潔精）代替。謹記檢查洗碗碟機機門是否關閉！

5. 選擇清洗程序與選項
根據所清洗的碗碟及餐具類型選擇最合適的清洗程序與選項。



注意：洗碗碟機會自動記憶最後一次被揀選的清洗程序及選項。於下一次啟動洗碗碟機時，被記憶的項目會自動顯示在控制面板，只需直接按「啟動/暫停」鍵就可啟動洗碗碟機清洗程序。

6. 修改正在運行中的程序

1. 按下「開/關」鍵關閉洗碗碟機
2. 按下「開/關」鍵啟動洗碗碟機
3. 選擇新的清洗程序及選項
4. 按「啟動/暫停」鍵啟動程序

警告！

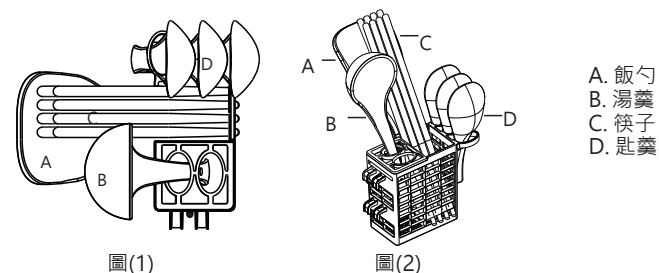
1. 在洗滌過程中，如果要打開門，請先按「啟動/暫停」鍵，然後等機器停止運行後再打開門。重新關上洗碗碟機機門後，請再次按下「啟動/暫停」鍵，清洗程序會於上一個暫停階段繼續接著運行。
2. 洗滌需要一定時間，請耐心等待。

5. 餐具籃及層架碗碟放置

建議根據下列指引放置餐具，以達至最佳洗滌效果。

圖(1)及圖(2)是放置餐具的建議構想圖。可根據實際使用情況及需求而放置不同餐具。

餐具籃



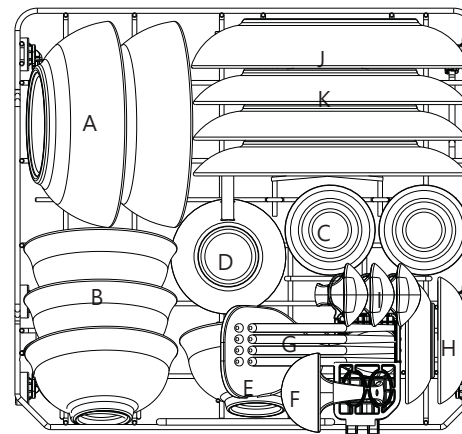
圖(1)

圖(2)

- A. 飯勺
- B. 湯羹
- C. 筷子
- D. 匙羹

餐具層架

1. 建議閣下按照下圖標準放置餐具及碗碟。
2. 請勿同時放置多於24件指定餐具。
3. 碗碟及餐具的總重量必須少於4300克。



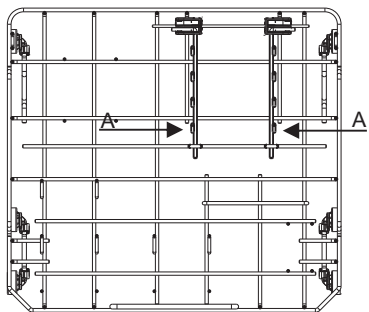
餐具及碗碟 / 件

- A. 麵碗 (2)
- B. 飯碗 (4)
- C. 玻璃杯 (2)
- D. 茶杯 (1)
- E. 飯勺 (1)
- F. 湯羹 (1)
- G. 筷子 (4)*
- H. 醬油碟 (2)
- I. 匙羹 (3)
- J. 深碟 (1)
- K. 淺碟 (3)

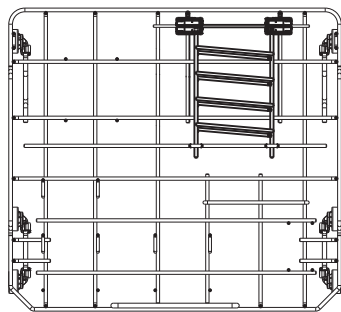
*對

翻倒支撐設計

餐具層架設有翻倒支撐設計，使你可選擇水平擺放碗碟或垂直擺放體積較大的碗碟，使空間能更靈活使用。



A: 兩排翻倒支撐設計



翻倒支撐器向內摺疊

放置完餐具及碗碟之後，將餐具層架推回洗碗碟機中。

餐具及碗碟選用建議

一般家用餐具均可放入洗碗碟機中洗滌。但洗碗碟機內的洗滌環境（溫度、洗碗碟機清潔劑等）均會對不同材質的餐具帶來不同影響。有見及此，放置餐具時請仔細參考下表建議：

材質	提示
木製餐具	木碗、碟、器皿、砧板及木製的餐具手柄可能會因高溫而變形或裂開。
塑膠餐具	較輕的塑膠餐具在洗滌過程中可能會被重複翻滾及掉落，或會因高溫而變形或裂開。
陶瓷餐具	陶瓷餐具一般可放於洗碗碟機中洗滌。部分有彩色圖案的仿古餐具經過多次洗滌後有可能出現褪色的情況（即使多次手洗亦會褪色）。
玻璃餐具	玻璃餐具一般可放於洗碗碟機中洗滌。部分彩色玻璃製品或會經過多次洗滌後出現褪色情況（即使多次手洗亦會褪色）。部分玻璃製品有可能經過多次洗滌後透明度變差。
不鏽鋼、鋁、及其他金屬餐具	此類餐具經多次洗滌後光潔度可能變差（即使多次手洗亦會令色澤變暗）。刀及叉/羹需按材質分類放置於餐具籃的不同方格。容易生鏽的金屬餐具不應放入洗碗碟機中洗滌。
金、銀等貴重餐具	此類餐具不能放入洗碗碟機中洗滌，因而令餐具色澤/光潔度變差。
小口瓶	小口瓶不應放入洗碗碟機中洗滌，因為瓶口太細小會影響洗滌效果。
抹布等清潔用品	抹布和其他清潔用品不能放入洗碗碟機中洗滌，以免造成機件故障。

餐具放置的注意事項

為了實現最佳洗滌效果和最佳洗碗碟機性能，請遵循下列方法操作洗碗碟機：

1. 放入餐具前，請清除較大的食物殘渣。
2. 餐具及碗碟之間應保留一定間隙，側面擺放，凹面朝下。將餐具整齊擺放，避免碰撞阻礙水流。
3. 餐具及碗碟應擺放平穩，以免在洗滌過程中因碗碟跌落而相互撞擊。
4. 所放置的餐具及碗碟不應從洗碗碟機底部伸出，否則可能會阻擋噴灑旋轉。
5. 體積細小的物件很容易從餐具層架中掉出。請不要用洗碗碟機清洗這些物品。
6. 將鋒利的帶有手柄的刀或叉朝上放置，以防對雙手造成傷害。

備注：請勿放入沾有煙灰、蠟燭、亮漆或油漆。如果你購買新餐具，請確保它們適合用於洗碗碟機。

⚠ 警告！ 不能讓任何物品延伸出底部。

提示：請勿令洗碗碟機超載。洗碗碟機只可放入最多24件指定餐具。請勿使用不適用於洗碗碟機的碗碟/餐具。這對洗碗碟機洗滌效果和能源效益都十分重要。此外，碗碟及餐具的總重量必須少於4300克。

玻璃或其他碗碟損壞的可能原因

- 玻璃的種類或製造商的生產過程。
- 洗碗碟機清潔劑的化學成分。
- 水溫和洗滌程序的時間。

建議措施

- 使用標有洗碗碟機適用的玻璃器皿和陶瓷等餐具。
- 使用洗碗碟機專用清潔粉。如有必要，可向清潔劑製造商索取更多資料。
- 揀選溫度較低的洗滌程序
- 於清洗程序完成後，立即從洗碗碟機中拿出玻璃及陶瓷器皿。

洗滌終結時

當洗碗碟機的整個清洗程序結束後，蜂鳴器會響6次，然後停止。按下「開/關」鍵關閉洗碗碟機，關閉供水並打開洗碗碟機機門。等待數分鐘後，再從洗碗碟機中取出餐具及碗碟，這樣可以避免於餐具及碗碟仍然處於熾熱狀態及受熱易破裂的狀態下從洗碗碟機中取出，碗碟乾燥效果亦會更好。

6. 開始清洗程序

程序表

程序	程序選擇	主洗溫度(°C)	需時(分鐘)	洗碗碟機專用清潔粉*(克)
1.	 密集洗 該程序適用於難洗的碗碟。但不適用於不能用高溫洗滌的餐具。	(50°C)	147	6-10
2.	 Eco 節能洗 與其他程序相比，此程序在能源效益方面更為理想。我們建議將此程序用於不會過於油膩但難洗的碗碟。	(55°C)	139	9
3.	 快洗 此程序所需較少時間和能源。適用於少量且易於清洗的碗碟。	(50°C)	28	6-10
4.	 玻璃清洗 用於易碎物品和輕度骯髒的餐具，如玻璃。	(50°C)	76	6-10
5.	 日日洗 用於一般骯髒的餐具。適用於日常清洗程序，確保在更短的時間內達到最佳清潔性能。	(55°C)	90	6-10
6.	 寧靜洗 適用於夜間操作設備。清洗程序結束後不會有提示音。確保最佳效果。	(50°C)	162	6-10
7.	 預洗 沖洗打算當天晚些時候清洗的餐具。	/	14	/
8.	 1小時洗及乾 用於輕度至一般骯髒的餐具。可每天使用，適用於污跡還未乾的餐具及碗碟，僅需60分鐘即可確保乾淨和乾燥的碗碟。	(50°C)	60	6-10
9.	 自動清洗 用於執行洗碗碟機維護的程序，使用熱水清潔設備的內部。	(72°C)	38	6-10

*若使用3合1洗碗碟機清潔片(吹乾劑、專用軟水鹽、清潔劑)，請將清潔片直接放入洗碗碟機專用清潔劑槽裏面。

啟動洗碗碟機

開始清洗程序

1. 拉出餐具層架，裝入碗碟並將層架推回去。然後倒入洗碗碟機專用清潔劑。
2. 將插頭插入插座。
確保供水已打開至全壓。關上門，按下「開/關」鍵，按程序鍵選擇所需的清洗程序。（請參閱「程序表」）。請用力一點關門確保門已正確關閉。

注意：當門完全關閉時，會聽到喀噠一聲。

添加碗碟

1. 按下「啟動/暫停」鍵
2. 打開洗碗碟機機門
3. 拉出餐具層架並添加碗碟
4. 將餐具層架推回洗碗碟機中
5. 關上洗碗碟機機門
6. 按下「啟動/暫停」鍵繼續清洗程序

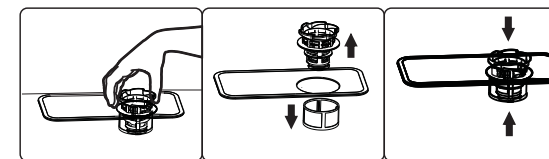
警告!

1. 按下「啟動/暫停」鍵後，請勿在機器停止操作之前打開門，以免發生燙傷危險！
2. 打開洗碗碟機機門時要小心蒸汽和熱水！
3. 仔細檢查洗碗碟機機門是否關上。
4. 在重新啟動洗碗碟機之前，請檢查餐具的放置情況，並確認是否有任何餐具從底部餐具層架中伸出！

7. 保養和清潔

過濾系統可防止大量的食物殘渣或其他物體進入洗滌泵。食物殘渣可能會阻塞過濾系統。

清潔過濾器



1. 向左旋轉以取出過濾器。
2. 過濾器由三部分組成：請拆卸清洗。
3. 清潔後，先組裝過濾器，然後再安裝回洗碗碟機。

過濾器組件

為了獲得最佳的清潔性能和效果，必須清潔過濾器組件。過濾網可以在洗滌期間阻隔水中的食物顆粒。整個過濾器組件應每周清潔一次。

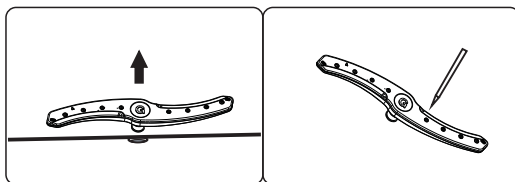
請使用清潔刷清潔過濾器粗糙及平滑的表面，然後將其重新安裝到洗碗碟機中。請勿在沒有過濾器或使用不適當過濾器的情況下使用洗碗碟機，否則可能會損壞設備，並降低餐具及碗碟的洗滌效果。

▲ 警告！

1. 請勿在未安裝過濾器的情況下操作洗碗碟機。
2. 清潔期間，請勿敲打過濾器，否則可能會導致過濾器變形並降低洗滌效能。

清潔噴灑臂

應定期清潔噴灑臂，因為自來水中帶有的物質可能會堵塞噴灑臂上的小孔和旋轉軸。用溫和的肥皂水沖洗噴灑臂，然後輕輕洗刷開口。徹底沖洗乾淨後，再裝回洗碗碟機中。



- 向上拉出噴灑臂
- 使用優質工具清潔噴灑臂上的小孔

▲ 警告！

切勿使用噴霧清潔劑清潔洗碗碟機的機門面板，否則可能會損壞門鎖和電器組件。禁止使用研磨劑或擦手紙，因為這會刮傷機件或在 stainless 鋼表面留下斑點的風險。

移除水垢

在水質較硬的區域，白色水垢可能會積聚在洗碗碟機的水桶和加熱板上。水垢會影響加熱面板的加熱效果。因此，應定期清潔加熱面板。

1. 卸下過濾器並放入餐具層架中。
2. 啟動洗碗碟機的「自動清洗」程序（不要將其他餐具放在餐具層架中）。於程序運行2-10分鐘後，按「暫停」並打開洗碗機。
3. 加入適量100ml醋或50g防垢劑。
4. 清洗程序完成後，加熱板上可能會出現少量的水垢薄膜，您可以用毛巾輕輕拭擦薄膜。如果洗碗碟機中有醋味或防垢劑殘留物，您可以在洗碗碟機沒有盛載任何碗碟及餐具時揀選「自動清洗」配合高溫除菌選項運行一次洗滌。

備注

如果水垢積聚過多，則應添加更多醋或防垢劑，醋用量應超過200ml，而防垢劑應在75至150克之間。清潔後，用毛巾或刷子清潔加熱板。

清潔洗碗碟機

- 清潔控制面板，請使用濕布輕輕擦拭，然後徹底風乾。使用優質的拋光產品清潔外殼。
- 使用工具如棉花棒拭擦機門上的間隙及塑膠條，以移除積水及卡在縫隙間的殘渣。
- 請勿使用任何尖銳的物體，鋼絲刷或具刺激性的清潔劑清潔洗碗碟機的任何部分。

防霜保護

如果洗碗碟機放置於環境溫度低於0°C的地方，建議您採取以下措施來尋求客戶服務的協助：

1. 切斷洗碗碟機電源。
2. 關閉供水設備，並斷開入水喉和水龍頭之間的連接。
3. 排出入水喉和水閥中剩餘的水（用碟盛載排出的水）
4. 重新連接入水喉和水龍頭。
5. 從洗碗碟機中取出過濾網並用海綿擦乾。

▲ 注意：

管道和電氣設備的安裝應由專業人員進行。

▲ 警告	
	<p>電擊危險！在安裝洗碗碟機之前，請先斷開電源。否則可能會導致死亡或觸電。</p>

建議與提示

每次洗滌後

- 每次洗滌後，請切斷電源並打開洗碗碟機機門，以防止潮濕和產生異味。這亦有助風乾碗碟。
- 請於每次洗滌完畢後使用乾且清潔的抹布清潔機門以及洗碗碟機內部，移除水漬及水滴。

移除插頭

在清潔或進行維修之前，請務必從插座上拔下插頭。

切勿使用溶劑或研磨性清潔產品

清潔洗碗碟機的外部及橡膠部件時，請勿使用溶劑或研磨性清潔產品。僅使用一塊布和溫水開的肥皂水就可以。若想去除內部表面的斑點或污漬，請使用蘸有水及少許白醋的布，或使用專門用於洗碗碟機清潔產品。

當你度假時

度假前，請使用「自動清洗」程序配合高溫除菌選項運作洗碗碟機，然後切斷電源，關閉進水口並稍微打開洗碗碟機的機門。

移動洗碗碟機

如果必須移動洗碗碟機，請嘗試將其保持在垂直位置。如果必要移動洗碗碟機，可以將其靠牆放置。

密封邊緣

導致氣味在洗碗碟機中形成的原因之一是食物仍然滯留在密封邊緣中。定期用濕海綿清潔可防止這種情況。

警告！

1. 請仔細閱讀本手冊，因為內裏包含重要信息，包括安全訊息、安裝和操作指引，以及產品保養。
2. 請妥善保管本手冊，以備日後參考。
3. 如果產品已出售，用於展示或移動至別處，請將本手冊連同洗碗碟機一起附上，以供新用戶參考。

8. 疑難排解提示

疑難

當發生某些故障時，洗碗碟機將顯示故障代碼以作提示。

故障代碼	意思	可能原因
E1	機門警告	洗碗碟機運行時機門打開了。
E2	進水警告	1. 零件損壞（例如進氣閥損壞，流量計損壞） 2. 沒有進水（水龍頭未打開，入水喉未連接至進水閥） 3. 線路斷開（流量計的導線連接器關閉）
E3	排水泵警告	1. 食物殘渣卡在排水口； 2. 排水喉被擠壓或提起來； 3. 排水泵損壞
E4	溫度故障	溫度感應器發生故障。
E5	溢水/漏水警告	發生溢水或漏水情況。
E6	缺水警告	1. 漏水； 2. 清洗泵停止運作，微動開關閉合。
E7	發熱器警告	加熱面板未加熱，加熱面板上的溫度控制器關閉（一個溫度控制器應手動恢復，另一個應自動恢復）
E10	高水位警告	水流量超過設定值

致電維修服務前

查看以下圖表或可省卻致電維修服務。

問題	可能原因	疑難排解
洗碗碟機無法運行	電源未打開	確保電源插頭已正確連接到電源。 確保洗碗碟機已通電並且門已關好。
	水壓低	檢查供水設備，並確保水龍頭已打開。
噪音	不當放置餐具層架會令餐具掉落並與噴灑臂碰撞	妥善放置每件餐具，並避免與噴灑臂碰撞。
	機械聲	水流沖洗餐具產生的聲音。
	洗滌泵的聲音	如果洗碗碟機不經常使用，請確保每週進水和排水，這將有助於保持密封邊緣濕潤。
洗碗碟機內有氣泡	洗碗碟機清潔粉使用不當	為避免產生氣泡，請使用專為洗碗碟機設計的清潔粉或3合1洗碗碟機清潔片。
		如果產生氣泡，請先打開洗碗碟機使氣泡蒸發，然後關閉機門並長按「啟動/暫停」鍵3秒強制排水；重複上述步驟，直到氣泡消失。
餐具上有污點及薄膜覆蓋	<ol style="list-style-type: none"> 過多硬水 進水溫度過低 洗碗碟機超出負荷 錯誤擺放碗碟 使用過期或潮濕的洗滌劑清洗進水位 錯誤添加清潔粉 	<p>除去玻璃杯上的污點</p> <ol style="list-style-type: none"> 取出洗碗碟機中的所有金屬設備 不要添加洗碗碟機清潔粉 選擇最長的洗滌程序 啟動洗碗碟機並運行18-22分鐘，之後洗碗碟機將會進入主洗過程。 打開洗碗碟機，將兩湯匙白醋倒入底部的內部容器中。 關閉洗碗碟機機門，並完成洗滌程序。如果白醋未能發揮作用，請重複上述步驟，並使用1/4勺（60毫升）檸檬汁結晶代替。

問題	可能原因	疑難排解
餐具未能清洗乾淨	選擇了不正確的洗滌程序	選擇更強力的洗滌程序進行清洗。
	餐具層架錯誤負載	請勿讓大型餐具及碗碟阻擋噴灑臂的旋轉。
洗碗碟機內壁有白色薄膜	硬水礦物	清潔洗碗碟機的內壁。用沾上洗碗碟機專用的清潔劑的海綿，並戴上橡膠手套進行清潔。請不要使用其他可能導致氣泡產生的清潔劑。
蒸氣	正常現象	在洗碗碟機的乾燥和排水過程中，少量蒸氣會從通風孔噴出。
餐具上有灰黑色圓點	鋁製品和餐具之間的磨損	使用溫和的清潔劑清除污漬。
內部容器底部有水殘留	正常	洗碗碟機內部容器底部的少量水可以使密封邊緣保持濕潤。
洗碗碟機漏水	洗碗碟機未能保持水平擺放	保持機器水平擺放。
洗碗碟機內壁有污漬	使用有色清潔粉	請使用單色清潔粉。
玻璃器皿上有黑點	使用過多清潔粉	選擇較短時間的清洗程序進行清洗。

9. 參數表

型號	WCTD104HK
可負載碗碟數量	最多24件指定碗碟及餐具 (請參閱「餐具籃及層架碗碟放置」篇章)
產品高度	43.0cm
產品闊度	41.0cm
產品深度 (with connectors)	40.0cm
能耗	750W
額定電壓/頻率	220V/50Hz
水壓 / (流量壓力)	0.03-0.6MPa

注意：以上數值是根據標準在指定的操作條件下測量的。結果可能因餐具的數量和骯髒程度、水的硬度、洗滌劑的份量等而產生差異。