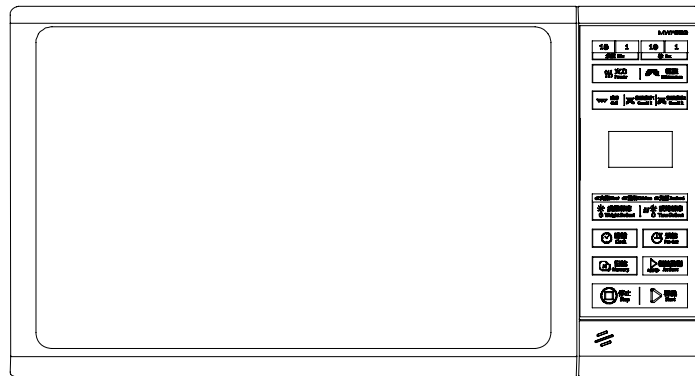




# MICROWAVE OVEN



MODEL: **MWF 863**

## Owner's Manual

用戶使用手冊

Please read these instructions carefully before installing and operating the oven.

Record in the space below the SERIAL NO. found on the nameplate on your oven and retain this information for future reference.

SERIAL NO.

## **PRECAUTIONS TO AVOID POSSIBLE EXPOSURE TO EXCESSIVE MICROWAVE ENERGY**

1. Do not attempt to operate this oven with the door open since open door operation can result in harmful exposure to microwave energy. It is important not to defeat or tamper with the safety interlocks.
2. Do not place any object between the oven front face and the door or allow soil or cleaner residue to accumulate on sealing surfaces.
3. Do not operate the oven if it is damaged. It is particularly important that the oven door close properly and that there is no damage to the
  - a. Door (bent),
  - b. Hinges and latches (broken or loosened),
  - c. Door seals and sealing surfaces.
4. The oven should not be adjusted or repaired by anyone except properly qualified service personnel.

## **CONTENTS**

PRECAUTIONS TO AVOID POSSIBLE EXPOSURE TO EXCESSIVE MICROWAVE ENERGY .....	1
IMPORTANT SAFETY INSTRUCTIONS.....	2
SPECIFICATIONS .....	3
INSTALLATION .....	4
RADIO INTERFERENCE .....	4
MICROWAVE COOKING PRINCIPLES .....	4
GROUNDING INSTRUCTIONS.....	5
BEFORE YOU CALL FOR SERVICE .....	5
UTENSILS GUIDE .....	6
PART NAMES .....	6
CONTROL PANEL .....	7
HOW TO SET THE OVEN CONTROLS .....	8
Setting the clock .....	8
Microwave cooking.....	8
Grill cooking.....	9
Combination cooking.....	9
Multi-stage cooking .....	9
Pre-set cooking .....	9
Jet start cooking .....	10
Weight defrost .....	10
Time defrost .....	10
CLEANING AND CARE.....	11

## IMPORTANT SAFETY INSTRUCTIONS

When using electrical appliance basic safety precautions should be followed, including the following:

**WARNING:** To reduce the risk of burns, electric shock, fire, injury to persons or exposure to excessive microwave energy:

1. Read all instructions before using the appliance. Carefully and keep for future reference.
2. Use this appliance only for its intended use as described in this manual. Do not use corrosive chemicals or vapors in this appliance. This type of oven is specifically designed to heat, cook or dry food. It is not designed for industrial or laboratory use.
3. Do not operate the oven when empty.
4. Do not operate this appliance if it has a damaged cord or plug, if it is not working properly or if it has been damaged or dropped. If the supply cord is damaged, it must be replaced by the manufacturer or its service agent or a similarly qualified person in order to avoid a hazard
5. **WARNING:** Only allow children to use the oven without supervision when adequate instructions have been given so that the child is able to use the oven in a safe way and understands the hazards of improper use.
6. To reduce the risk of fire in the oven cavity:
  - a) When heating food in plastic or paper container, keep an eye on the oven due to the possibility of ignition.
  - b) Remove wire twist-ties from paper or plastic bags before placing bag in oven.
  - c) If smoke is observed, switch off or unplug the appliance and keep the door closed in order to stifle any flames.
  - d) Do not use the cavity for storage purposes. Do not leave paper products, cooking utensils or food in the cavity when not in use.
7. **WARNING:** Liquid or other food must not be heated in sealed containers since they are liable to explode.
8. Microwave heating of beverage can result in delayed eruptive boiling, therefore care has to be taken when handle the container.
9. Do not fry food in the oven. Hot oil can damage oven parts and utensils and even result in skin burns.
10. Eggs in their shell and whole hard-boiled eggs should not be heated in microwave ovens since they may explode even after microwave heating has ended.
11. Pierce foods with heavy skins such as potatoes, whole squashes, apples and chestnuts before cooking.
12. The contents of feeding bottles and baby jars should be stirred or shaken and the temperature should be checked before consumption in order to avoid burns.
13. Cooking utensils may become hot because of heat transferred from the heated food. Potholders may be needed to handle the utensil.
14. Utensils should be checked to ensure that they are suitable for use in microwave oven.
15. **WARNING:** It is hazardous for anyone other than a trained person to carry out any service or repair operation which involves the removal of any cover which gives protection against exposure to microwave energy.
16. This appliance is not intended for use by persons (including children) with reduced physical, sensory or mental capabilities, or lack of experience and knowledge, unless they have been given supervision or instruction concerning use of the appliance by a person responsible for their safety.
17. Children should be supervised to ensure that they do not play with the appliance.
18. The microwave oven is only used in freestanding.
19. **WARNING:** Do not install oven over a range cooktop or other heat-producing appliance. if installed could be damaged and the warranty would be avoid .
20. The accessible surface may be hot during operation.
21. The microwave oven shall not be placed in a cabinet unless it has been tested in a cabinet.
22. For microwave ovens having an additional decorative door, and for microwave ovens

- intended to be used in a cabinet, the instructions for use shall state that the microwave oven must be operated with the decorative door open.
23. The door or the outer surface may get hot when the appliance is operating.
  24. The temperature of accessible surfaces may be high when the appliance is operating.
  25. The appliance shall be placed against a wall.
  26. WARNING: If the door or door seals are damaged, the oven must not be operated until it has been repaired by a competent person.
  27. The instructions shall state that appliances are not intended to be operated by means of an external timer or separate remote-control system.
  28. Never remove the distance holder in the back or on the sides, as it ensures a minimum distance from the wall for air circulation.
  29. Please secure the turn table before you move the appliance to avoid damages.
  30. Caution: It is dangerous to repair or maintain the appliance by no other than a specialist because under these circumstances the cover have to be removed which assures protection against microwave radiation. This applies to changing the power cord or the lighting as well. Send the appliance in these cases to our service centre.
  31. The microwave oven is intended for defrosting, cooking and steaming of food only.
  32. Caution! Steam will escape, when opening lids or wrapping foil.
  33. Only use the temperature probe recommended for this oven (for appliances having a facility to use a temperature-sensing probe).
  34. Warning: when the appliance is operated in the combination mode, children should only use the oven under adult supervision due to the temperatures generated.

## SPECIFICATIONS

Power Consumption	230V~50Hz, 1400W(Microwave)
	1000W(Grill)
Rated Microwave Power Output:	900W
Operation Frequency:	2450MHz
Oven Capacity:	23Litres

## **INSTALLATION**

1. Make sure that all the packing materials are removed from the inside of the door.
2. This microwave oven must be placed on a flat, stable surface to hold its weight and the heaviest food likely to be cooked in the oven.
3. Do not place the oven where heat, moisture, or high humidity are generated, or near combustible materials.
4. For correct operation, the oven must have sufficient airflow. Allow 20cm of space above the oven, 10cm at back and 5cm at both sides. Do not cover or block any openings on the appliance. Do not remove feet.
5. Do not operate the oven without glass tray, roller support, and shaft in their proper positions.
6. Make sure that the power supply cord is undamaged and does not run under the oven or over any hot or sharp surface.
7. The socket must be readily accessible so that it can be easily unplugged in an emergency.
8. Do not use the oven outdoors.

## **RADIO INTERFERENCE**

Operation of the microwave oven can cause interference to your radio, TV, or similar equipment.

When there is interference, it may be reduced or eliminated by taking the following measures:

1. Clean door and sealing surface of the oven.
2. Reorient the receiving antenna of radio or television.
3. Relocate the microwave oven with respect to the receiver.
4. Move the microwave oven away from the receiver.
5. Plug the microwave oven into a different outlet so that microwave oven and receiver are on different branch circuits.

## **MICROWAVE COOKING PRINCIPLES**

1. Arrange food carefully. Place thickest areas towards outside of dish.
2. Watch cooking time. Cook for the shortest amount of time indicated and add more as needed. Food severely overcooked can smoke or ignite.
3. Cover foods while cooking. Covers prevent spattering and help foods to cook evenly.
4. Turn foods over once during microwaving to speed cooking of such foods as chicken and hamburgers. Large items like roasts must be turned over at least once.
5. Rearrange foods such as meatballs halfway through cooking both from top to bottom and from the center of the dish to the outside.

## GROUNDING INSTRUCTIONS

This appliance must be grounded. This oven is equipped with a cord having a grounding wire with a grounding plug. It must be plugged into a wall receptacle that is properly installed and grounded. In the event of an electrical short circuit, grounding reduces risk of electric shock by providing an escape wire for the electric current. It is recommended that a separate circuit serving only the oven be provided. Using a high voltage is dangerous and may result in a fire or other accident causing oven damage.

**WARNING** Improper use of the grounding plug can result in a risk of electric shock.

### Note

1. If you have any questions about the grounding or electrical instructions, consult a qualified electrician or service person.
2. Neither the manufacturer nor the dealer can accept any liability for damage to the oven or personal injury resulting from failure to observe the electrical connection procedures.

The wires in this cable main are colored in accordance with the following code:

Green and Yellow = EARTH

Blue = NEUTRAL

Brown = LIVE

## BEFORE YOU CALL FOR SERVICE

If the oven fails to operate:

1. Check to ensure that the oven is plugged in securely. If it is not, remove the plug from the outlet, wait 10 seconds, and plug it in again securely.
2. Check for a blown circuit fuse or a tripped main circuit breaker. If these seem to be operating properly, test the outlet with another appliance.
3. Check to ensure that the control panel is programmed correctly and the timer is set.
4. Check to ensure that the door is securely closed engaging the door safety lock system. Otherwise, the microwave energy will not flow into the oven.

IF NONE OF THE ABOVE RECTIFIES THE SITUATION, THEN CONTACT A QUALIFIED TECHNICIAN. DO NOT TRY TO ADJUST OR REPAIR THE OVEN YOURSELF.

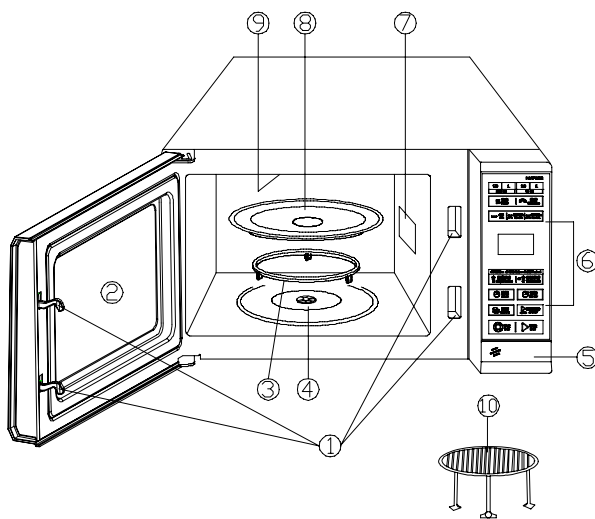
## UTENSILS GUIDE

1. The ideal material for a microwave utensil is transparent to microwave, it allows energy to pass through the container and heat the food.
2. Microwave can not penetrate metal, so metal utensils or dishes with metallic trim should not be used.
3. Do not use recycled paper products when microwave cooking, as they may contain small metal fragments which may cause sparks and/or fires.
4. Round /oval dishes rather than square/oblong ones are recommend, as food in corners tends to overcook.
5. Narrow strips of aluminum foil may be used to prevent overcooking of exposed areas. But be careful don't use too much and keep a distance of 1 inch (2.54cm) between foil and cavity.

The list below is a general guide to help you select the correct utensils.

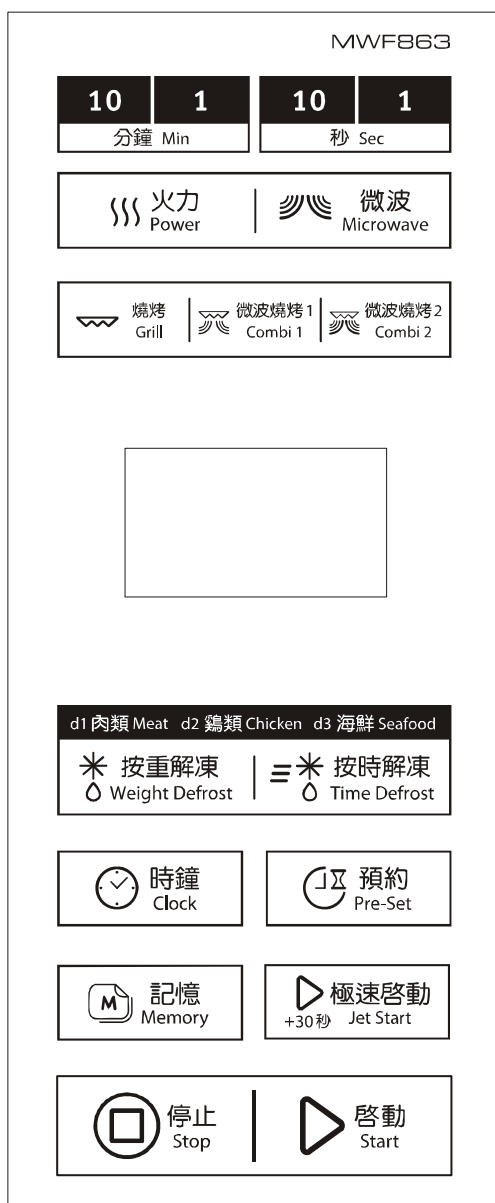
COOKWARE	MICROWAVE	GRILL	COMBINATION
Heat-Resistant Glass	Yes	Yes	Yes
Non Heat-Resistant Glass	No	No	No
Heat-Resistant Ceramics	Yes	Yes	Yes
Microwave-Safe Plastic Dish	Yes	No	No
Kitchen Paper	Yes	No	No
Metal Tray	No	Yes	No
Metal Rack	No	Yes	No
Aluminum Foil & Foil Containers	No	Yes	No

## PART NAMES



1. Door Safety Lock System
2. Oven Window
3. Roller Ring
4. Shaft
5. Door Release Button
6. Control Panel
7. Wave Guide (Please do not remove the mica plate covering the wave guide)
8. Glass Tray
9. Grill Heater
10. Metal Rack

# CONTROL PANEL



## MENU ACTION SCREEN

Cooking time, power level, action indicators, and clock time are displayed.

10/1 MIN      10/1SEC

Touch to set clock, cooking time, enter food weight, etc.

**POWER**

Press this button repeatedly to set cooking power level.

**MICROWAVE**

Touch this button to set a microwave cooking program.

**GRILL**

Press it to set a grill cooking program.

**COMBI 1 & COMBI 2**

Touch these buttons when you want to set a combination cooking session.

**WEIGHT DEFROST**

Automatically sets proper defrosting cycle once you have entered the weight of the food to be thawed.

**TIME DEFROST**

Customize defrosting time for food outside the categories or exceeding the max. allowable weight by weight defrost.

**CLOCK**

Use to set the time of day or recall the time of day.

**PRE-SET**

Preset feature allows you to put food into the oven and program it to start cooking at a later time.

**MEMORY**

Use this button to set a multistage cooking program.

**JET START**

To start the oven quickly at full microwave power, you can press this button a number of times to indicate cooking time.

**STOP**

Touch to clear the current setting or reset the system.

**START**

Touch to start a cooking program.



## HOW TO SET THE OVEN CONTROLS

1. When the microwave is connected with power supply, it comes to child lock status. The only way to unlock is to open the door and close the door once.
2. During the standby mode, child lock function will activate automatically if no operation in 5 minutes.
3. You have to keep the door closed before setting any programs. Press "STOP" once or wait for 20 sec to cancel programs set. Oven back to standby mode.
4. During cooking, you can open the door or press "STOP" once to temporarily pause the cooking process. After closing the door, you can resume the cooking process by pressing "START". Or to press "STOP" 2 times to cancel the cooking process. Oven back to standby mode.
5. When cooking finished, "End" will be appeared in the LED of oven. Beep sound for every two minutes will continue until you open the door or press any key in the control panel.

### SETTING THE CLOCK

---

1. In standby mode, touch CLOCK button once.
2. Touch MIN. button to set the time.
3. Touch CLOCK button again to confirm.

**Note:** The clock works in 24 hour cycle. You can check the clock time when cooking is in progress by touching the CLOCK button.

### MICROWAVE COOKING

---

The longest cooking time is 99 minutes and 99 seconds. You can check the power level by pressing power button during the cooking process.

1. In standby mode, touch MICROWAVE button.
2. Use number pads 10MIN, 1MIN, 10SEC, and 1SEC to enter cooking time.
3. Touch POWER button repeatedly to select desired power level.

Touch POWER button	Power Level
Once	100%
Twice	80%
3 times	60%
4 times	40%
5 times	20%
6 times	0%

4. Touch START button.

## GRILL COOKING

---

The longest cooking time is 99 minutes and 99 seconds. Grill cooking is useful for thin slices of meat, steaks, pork chops, kebabs, sausages or pieces of chicken.

1. In standby mode, touch GRILL button.
2. Use number pads 10MIN, 1MIN, 10SEC, and 1SEC to enter cooking time.
3. Touch START button.

## COMBINATION COOKING

---

The longest cooking time is 99 minutes and 99 seconds.

### COMBI1

30% time for microwave cooking. 70% time for grill cooking. Use for fish, baked potatoes.

### COMBI 2

55% time for microwave cooking. 45% time for grill cooking. Use for pudding, egg rolls, baked potatoes and poultry.

Suppose you want to use the Combination feature.

1. Touch COMBI 1 or COMBI 2 button once.
2. Use number pads 10MIN, 1MIN, 10SEC, and 1SEC to enter cooking time.
3. Touch START button.

## MULTI-STAGE COOKING

---

Your oven can be programmed for up to 2 automatic cooking sequences.

The following steps are needed if we are going to set a cooking program which involves Jet Defrost and Grill cooking.

1. Touch TIME DEFROST button in standby mode.
2. Use number pads 10MIN, 1MIN, 10SEC, and 1SEC to enter cooking time.
3. Touch MEMORY button.
4. Touch GRILL button.
5. Use number pads 10MIN, 1MIN, 10SEC, and 1SEC to enter cooking time.
6. Touch START button.

**Note:** TIME DEFROST can be only set in the first stage, WEIGHT DEFROST and JET START cannot be set in the multistage cooking mode.

## PRE-SET COOKING

---

You can put food first, and then scheduled in microwave appointments started automatically.

Suppose you want to set the oven to start-up at 12:35.

1. Place food in the oven.
2. Touch MICROWAVE button.
3. Use number pads 10MIN, 1MIN, 10SEC, and 1SEC to enter cooking time.

4. Touch POWER button repeatedly to select desired power level.
5. Touch PRE-SET button.
6. Use number pads 10MIN, 1MIN, 10SEC, and 1SEC to enter preset time "12:35".
7. Touch START button.

Note: Jet start function cannot be applied in pre-set cooking. You can check the pre-set time by pressing "PRE-SET" button; press the "stop" key again to cancel function.

#### JET START COOKING

---

Use this feature to program the oven to microwave food at 100% power conveniently.

In standby mode, press JET START in quick succession to set the cooking time, the oven will start automatically. The longest cooking time is 10 minutes.

#### WEIGHT DEFROST

---

Automatically sets proper defrosting cycle once you have entered the weight of the food to be thawed. Maximum allowable weight for each category is shown below.

FOOD	MAXIMUM	DISPLAY
Meat	2300g	d1
Poultry	4000g	d2
Seafood	900g	d3

1. Touch WEIGHT DEFROST repeatedly to select the food stage
2. Use number pads 10MIN, 1MIN, 10SEC, and 1SEC to enter food weight.
3. Touch START button.

During defrosting process, the oven will pause and signal to remind user to turn over food, after that, press START to resume defrosting.

The oven will not start if you happen to enter weight in excess of the maximum recommended.

For food exceeding these maximum weights, use the TIME DEFROST program.

#### TIME DEFROST

---

With Time Defrost, you need to input defrosting time. The longest defrosting time is 99 minutes and 99 seconds.

1. Touch TIME DEFROST button.
2. Use number pads 10MIN, 1MIN, 10SEC, and 1SEC to enter cooking time.
3. Touch START button.

**Note:** During defrosting process, the oven will pause and signal to remind user to turn over food, after that, press START to resume defrosting.

## CLEANING AND CARE

1. Turn off the oven and remove the power plug from the wall socket before cleaning.
2. Keep the inside of the oven clean. When food splatters or spilled liquids adhere to oven walls, wipe with a damp cloth. Mild detergent may be used if the oven gets very dirty. Avoid the use of spray and other harsh cleaners as they may stain, streak or dull the door surface.
3. The outside surfaces should be cleaned with a damp cloth. To prevent damage to the operating parts inside the oven, water should not be allowed to seep into the ventilation openings.
4. Wipe the door and window on both sides, the door seals and adjacent parts frequently with a damp cloth to remove any spills or splatters. Do not use abrasive cleaner.
5. Do not allow the control panel to become wet. Clean with a soft, damp cloth. When cleaning the control panel, leave oven door open to prevent oven from accidentally turning on.
6. If steam accumulates inside or around the outside of the oven door, wipe with a soft cloth. This may occur when the microwave oven is operated under high humidity condition. And it is normal.
7. It is occasionally necessary to remove the glass tray for cleaning. Wash the tray in warm sudsy water or in a dishwasher.
8. The roller ring and oven floor should be cleaned regularly to avoid excessive noise. Simply wipe the bottom surface of the oven with mild detergent. The roller ring may be washed in mild sudsy water or dishwasher. When removing the roller ring from cavity floor for cleaning, be sure to replace in the proper position.
9. Remove odors from your oven by combining a cup of water with the juice and skin of one lemon in a deep microwaveable bowl, microwave for 5 minutes. Wipe thoroughly and dry with a soft cloth.
10. When it becomes necessary to replace the oven light, please consult our service center to have it replaced.
11. The oven should be cleaned regularly and any food deposits removed. Failure to maintain the oven in a clean condition could lead to deterioration of the surface that could adversely affect the life of the appliance and possibly result in a hazardous situation.
12. Please do not dispose this appliance into the domestic rubbish bin; it should be disposed to the particular disposal center provided by the municipalities.
13. When the microwave oven with grill function is first used, it may produce slight smoke and smell. This is a normal phenomenon because the oven is made of a steel plate coated with lubricating oil, and the new oven will produce fumes and odor generated by burning the lubricating oil. This phenomenon will disappear after a period of using.

**If there is any inconsistency or ambiguity between the English version and Chinese version, the English version shall prevail.**

## 避免微波能量外洩的安全措施

1. 切勿在爐門開啓的情況下操作，以避免有害微波能量外洩。切勿擅自改動或安裝安全鎖裝置。
2. 切勿在爐前或爐門放置任何物件，或讓沙土或洗潔劑殘餘物累積在封條表層。
3. 如果微波爐已損壞，則不可再使用。尤為重要的是，爐門必須關緊，並確保下列各部分皆無損壞：
  - a. 門（彎曲）；
  - b. 鉸鏈和門門（破裂或鬆脫）；
  - c. 門封和封條表層。
4. 本微波爐只可由合格專業服務人員修理或調整。

## 目錄

避免微波能量外洩的安全措施.....	1
目錄.....	1
安全使用要點.....	2
規格.....	3
安裝.....	4
無線電干擾.....	4
微波爐烹調規則.....	4
接地指示.....	5
拔電尋求援助服務之前應做事項.....	5
器皿指南.....	5
組件名稱.....	6
控制面板說明.....	7
如何設置微波爐程式.....	8
時鐘設置.....	8
微波烹調.....	8
燒烤烹調.....	8
微波燒烤組合烹調.....	9
多段烹調.....	9
預約烹調.....	9
極速啓動.....	9
按重解凍.....	9
按時解凍.....	10
清潔與保養.....	10

## 安全使用要點

使用電器時必須遵守基本安全規則，包括下列事項：

警告：爲了降低個人燒傷、觸電、火災、受傷或微波能量外洩，用戶必須：

1. 使用前請詳閱“使用手冊”全部內容，並請保留作爲日後參考之用。
2. 根據此手冊所述用途使用本微波爐。不可在本微波爐內使用腐蝕性化學物質或蒸汽。本微波爐專爲家庭加熱及烹調食物而設計，故不適用於其它工商或實驗室用途。
3. 爐內無食物時，切勿操作本微波爐，以免空載運行損壞機器。
4. 電線或插座損壞、無法操作正常或已損壞或曾跌落，切勿使用本微波爐。如果電線已損壞，則必須由廠商、其維修部或類似的專業人員更換，以避免危險。
5. 警告：只有在已經提供充分的指導，並確保兒童能够採用安全的方法使用本微波爐，同時明白不正確的使用方法會造成危險時，才能允許兒童在無人監督的情況下使用微波爐。
6. 爲降低爐腔著火的風險：
  - a. 當食物在塑料、紙或其它可燃材料製成的容器中加熱或烹調時，應時時注意，防止起火。
  - b. 把袋子放入爐內之前，先除去紙袋或塑膠袋的扭線環。
  - c. 烹調中發生冒煙或起火現象時，請不要立刻打開爐門，否則遇空氣會加大火勢，應立即切斷電源。
  - d. 切勿在微波爐內儲存任何物品。無使用的紙製品、烹調器皿或食物切勿存在爐腔內。
7. 警告：不要直接加熱裝在密封容器內的液體或其他食物，此情況有可能引致爆炸。
8. 使用微波爐加熱飲料時，須擱置片刻，以避免液體延遲沸騰而被燙傷，因此在處理容器時必須格外小心。
9. 切勿使用微波爐煎炸食物。因爲熱油會損壞微波爐零件和烹調器皿，甚至燙傷皮膚。
10. 切勿使用微波爐烹煮或加熱帶殼或硬蛋，因爲壓力會導致雞蛋爆裂，爆破可能發生在微波加熱完畢後。
11. 皮厚且硬的食物，如馬鈴薯、整個南瓜、蘋果和栗子，烹煮前需刺幾個小孔。
12. 奶瓶和嬰兒食品罐內的食物應經過攪拌或搖動，餵食前應檢查瓶內食物的溫度，以避免燙傷。
13. 加熱食品可能將熱量傳送至烹調器皿。因此，從微波爐內提取食物和器皿時，應使用鍋夾或戴上隔熱手套，以免高溫燙傷。
14. 用微波爐之前，應檢查所用器皿是否適用於微波爐。
15. 警告：除了受過訓練的維修人員之外，任何人都不可進行檢查，以避免危險，包括拆下防止微波能量洩漏的防護蓋等工作。
16. 本電器並不是爲體質、感覺、或智力有障礙人士（包括小孩）、或缺乏經驗及知識者使用而設，除非他們曾經接受負責安全人士的監督或指示。
17. 請小心看管小孩，以確保他們不會把本電器當作玩具。
18. 本微波爐只能在單獨的線路上使用。
19. 警告：微波爐不要安裝在離爐灶面或其它發熱設備很近的區域，否則可能會損壞電器，保修服務將會失效。
20. 本電器工作時可觸及的表面可能會變熱。
21. 本微波爐不要放置在櫥櫃裏，除非符合了嵌入櫥櫃的測試。
22. 使用指示中需點明，對置於櫥櫃中的微波爐，使用時必須保證外櫃門處於打開狀態。

23. 本電器工作時爐門或外表面可能會變熱。
24. 本電器工作時可觸及的表面的溫度可能會高。
25. 本電器放置時不能距離牆壁太近。
26. 警告：如果微波爐門或門封已損壞，則不得再使用，直到經有資格的維修人員修好為止。
27. 器具不能再外接定時器或獨立的遙控控制系統的方式下運行。
28. 不要減少本電器兩側和背部的空間，因為要確保與牆壁的最小距離，以便空氣流通。
29. 移動本電器時要保護好裏面的玻璃盤，以免摔壞。
30. 警告：除有資格的維修人員外，其他人來執行檢修操作都是危險的，因為拆下防止微波洩漏的防護蓋後會發生微波輻射。如果要更換電源線或爐燈，請將電器送到我們的維修中心。
31. 本微波爐只能用於解凍、烹調和蒸食物。
32. 警告：打開器皿的蓋子或食物的包裹物時小心蒸汽會溢出。
33. 使用推薦用於該微波爐的溫度探測器（對電器設備使用感溫探頭）。
34. 警告：當微波爐在組合模式下操作時，會產生高溫，兒童須在成人監督下使用。

## 規格

消耗電功率	230V~50Hz, 1400W (微波)
	1000W (燒烤)
額定微波輸出功率	900W
操作頻率	2450MHz
內腔容積	23L

## 安裝

1. 請把爐內的包裝物一一取出。
2. 本微波爐應放置於具有足夠承托其重量及最高食物重量的平穩臺面。
3. 本微波爐應不可放置於高溫、潮濕或靠近易燃物體之處。
4. 為確保正確操作，本微波爐應放置於空氣流通之處。爐上方 20 厘米、爐背 10 厘米和左右兩旁 5 厘米的空間不可放置任何物件，不可覆蓋或堵塞本微波爐的任何開口處。不可拆除爐腳。
5. 勿在沒有擺放玻璃轉盤、轉盤支承和轉軸的情況下操作本微波爐。
6. 確保電線無損壞，或穿過爐底或任何高溫或尖銳的表面。
7. 插座所在位置必須容易進出，以在緊急時能輕易拔除。
8. 本微波爐不可在戶外使用。

## 無線電干擾

本微波爐在操作時可能會對您的收音機、電視機及類似的電器造成干擾。

一旦發生干擾情況，可進行下列步驟以減少或消除有關干擾：

1. 清潔爐門和封條表層。
2. 重新調整收音機或電視機的接收天線。
3. 根據接收器重新擺放微波爐的位置。
4. 將微波爐搬至遠離接收器之處。
5. 將微波爐插頭插至不同的插座，以使微波爐和接收器處於不同的電路線。

## 微波爐烹調規則

1. 請將食物小心排列，較厚部分應朝盤外擺放。
2. 注意烹調時間。盡量選擇最短的烹調時間，若不足可延長時間。食物嚴重過度烹調會造成冒煙或燃燒等危險。
3. 烹調食物時應蓋著。加蓋可防止食物噴濺，而且食物更均勻熟透。
4. 在進行微波烹調時翻轉食物，能使食物更快煮熟，如雞肉和漢堡包。體積較大的烤肉則須至少翻轉一次。
5. 魚丸等食物在烹調至一半時，宜重新對換位置，如上下對調，中間部分則與旁邊對換。



## 接地指示

本電器必須接地。本微波爐備有一條接地線的接地插頭。它必須插在良好和正確接地的插座上。一旦發生電流短路，接地裝置將為外洩電流提供排電電線，藉以減低發生觸電的風險。建議必須為本微波爐提供個別的電路。使用高電壓是非常危險的事，而且可能導致火災或其他破壞微波爐的意外。

**警告：錯誤使用接地插頭會導致發生觸電的風險。**

備註：

1. 若您對接地或電器指示有任何疑問，請諮詢合格的電器技術工或服務人員。
2. 對於因為無遵守電路銜接查詢所造成的微波爐損壞或個人受傷，廠商或代理無需負任何責任。

## 拔電尋求援助服務之前應做事項

如果微波爐無法操作，應檢查：

1. 微波爐的插頭是否插妥。若未插好，先把插頭拔離插座，待 10 秒鐘後在穩定插妥。
2. 檢查電路保險絲是否燒燬，或主要電路保險斷路是否有跳制，若這些看起來都操作正常，則需使用其他工具檢查插座。
3. 控制面板的程控是否正確。
4. 爐門是否關好，並啟動童鎖功能。否則微波能量將無法流入爐內。

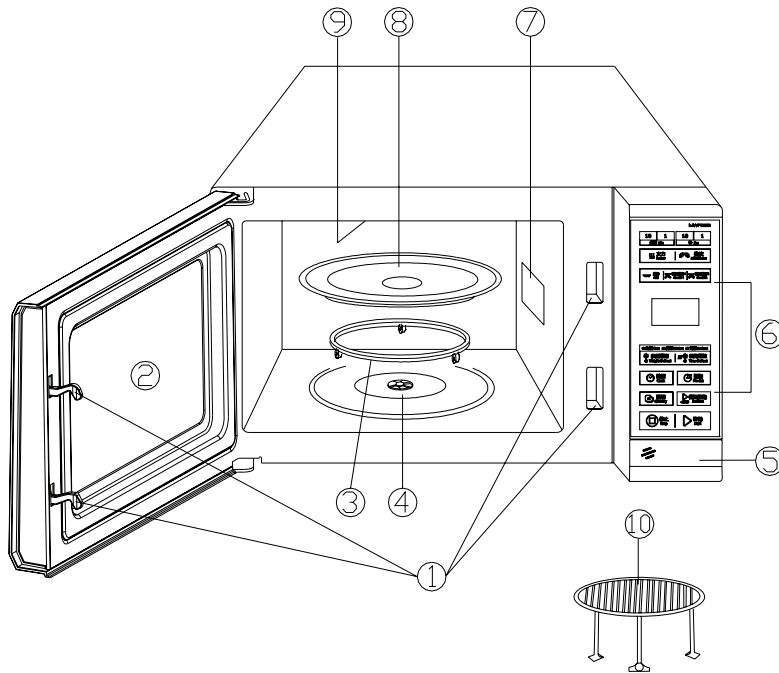
若上述所有行動皆無法修正有關情況，則必須聯絡合格專業技術人員。切勿擅自調整或修理。

## 器皿指南

1. 最理想的微波爐器皿必須能透射微波，使能量穿透容器，加熱容器中的食物。
2. 微波無法穿透金屬，因此不宜使用金屬器皿或金屬飾邊的餐具。
3. 切勿使用再生紙製品進行微波烹調，因為它們含細微的金屬碎片，可能引致火花和 / 或著火燃燒。
4. 與四方形 / 長方形相比，圓形 / 橢圓形餐具更適合微波爐使用，因為在角落的食物通常會過熟。
5. 可用寬度較小的鋁箔鋪蓋食物，以防止外露的食物過熟。但必須注意，不可使用過量，同時在鋁箔和爐腔之間保持至少 1 寸（2.54 厘米）的距離。

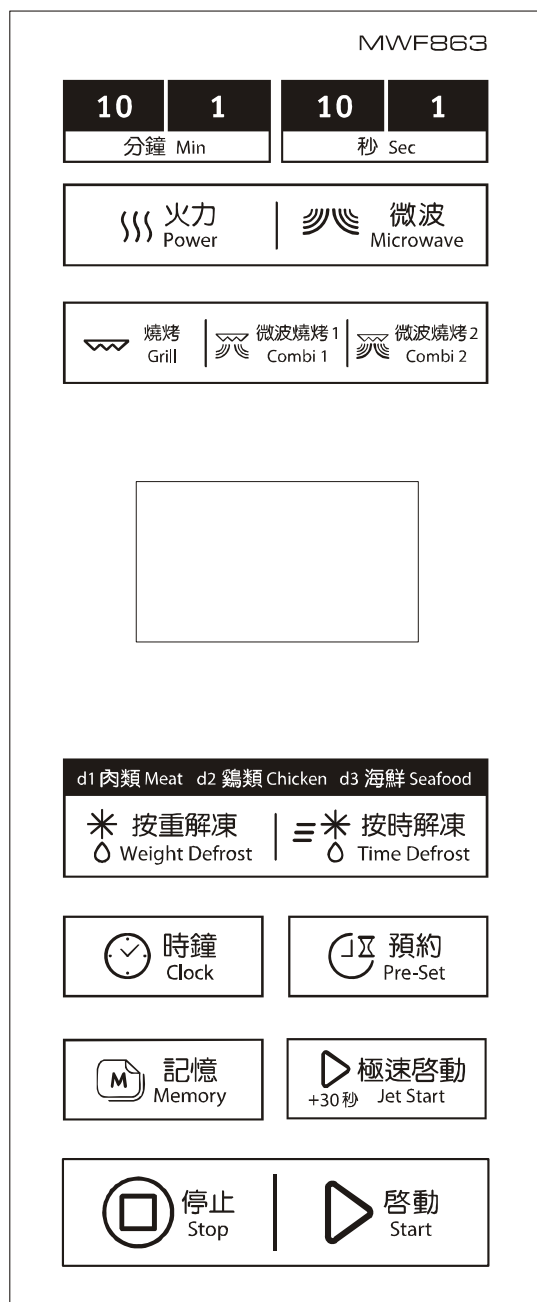
選擇適當器皿的普通指南			
器皿	微波烹調	燒烤烹調	組合烹調
耐熱玻璃	可	可	可
不耐熱玻璃	不可	不可	不可
耐熱陶瓷器	可	可	可
微波爐安全使用塑料餐具	可	不可	不可
保鮮膜	可	不可	不可
金屬烤盤	不可	可	不可
金屬架子	不可	可	不可
鋁箔及箔紙容器	不可	可	不可

## 組件名稱



- ① 爐門安全連鎖系統
- ② 視屏窗
- ③ 轉盤支承
- ④ 轉軸
- ⑤ 爐門開關
- ⑥ 控制面板
- ⑦ 波導口（裝有雲母片，請勿拆卸）
- ⑧ 玻璃轉盤
- ⑨ 燒烤管
- ⑩ 金屬架子

## 控制面板說明



### 數字鍵 10 / 1 分鐘 10 / 1 秒

用於設置時鐘時間、烹調時間及選擇解凍食物的重量。

### 火力

用於選擇微波烹調火力。

### 微波

用於選擇微波烹調功能。

### 燒烤

用於選擇燒烤烹調功能。

### 微波燒烤 1

用於選擇微波燒烤 1 烹調功能。

### 微波燒烤 2

用於選擇微波燒烤 2 烹調功能。

### 顯示屏

顯示烹調時間、火力、符號和時鐘時間。

### 按重解凍

用於設置按重解凍程式。

### 按時解凍

用於設置按時解凍程式。

### 時鐘

用於設置時鐘功能。

### 預約

用於指定微波爐在預約時間自動啟動。

### 記憶

用於設置多段烹調程式。

### 極速啟動

用於快速啟動微波爐以 100%火力工作。

### 停止

用於暫停或取消已設程式。

### 啟動

用於啟動微波爐工作。

## 如何設置微波爐程式

1. 微波爐初始通電時，系統處于童鎖狀態，按任意鍵無效，此時必須開關爐門一次才能解除童鎖。
2. 若在待機關門狀態下 5 分鐘內無任何操作，系統則會自動啓動童鎖功能。
3. 在設置程式時，必須關上爐門才能進行按鍵操作，按【停止】一次或等待 20 秒後可取消已設程式，微波爐恢復待機狀態。
4. 在烹調過程中，打開爐門或按【停止】鍵一次可暫停烹調程式，若關上爐門後再按【啓動】鍵一次可繼續烹調；若連續按【停止】鍵二次可取消當前烹調程式，微波爐恢復待機狀態。
5. 當烹調程式完成後，微波爐顯示屏上顯示“End”，如果不打開爐門或沒按任意鍵，系統將每隔 2 分鐘發出一提示音。

### 時鐘設置

本系統時鐘為 24 小時制。在烹調過程中，可隨時按【時鐘】鍵查詢當前的時間。

1. 在待機關門狀態下，按【時鐘】鍵一次；
2. 按數字鍵設置時鐘時間；
3. 按【時鐘】鍵一次確認。

### 微波烹調

烹調時間最長可設置到 99 分 99 秒。在烹調過程中，可隨時按【火力】鍵查詢當前微波火力。

1. 在待機關門狀態下，按【微波】鍵一次；
2. 按數字鍵設置烹調時間；
3. 連續按【火力】鍵選擇所需烹調火力；

按【火力】鍵	火力等級
1 次	100%
2 次	80%
3 次	60%
4 次	40%
5 次	20%
6 次	0%

4. 按【啓動】鍵一次。

### 燒烤烹調

燒烤烹調時間最長可設置到 99 分 99 秒。主要用於燒烤較薄的肉片、牛排、豬排、串燒、香腸或鷄塊。

1. 在待機關門狀態下，按【燒烤】鍵一次；
2. 按數字鍵設置烹調時間；
3. 按【啓動】鍵一次。

### 微波燒烤組合烹調

微波燒烤組合烹調時間最長可設置到 99 分 99 秒。組合 1 功能為 30%微波烹調，70%燒烤烹調，適合烤魚、烤馬鈴薯及令食物脆皮可口；組合 2 功能為 55%微波烹調，45%燒烤烹調，適合制作布丁、煎蛋卷、烤馬鈴薯和燒烤家禽肉。

1. 在待機關門狀態下，按【微波燒烤 1】或【微波燒烤 2】鍵一次；
2. 按數字鍵設置烹調時間；
3. 按【啓動】鍵一次。

### 多段烹調

本微波爐具有將幾種烹調程式組合在一起，進行多段烹調工作的特點。用戶可以一次性輸入二段烹調程式，使烹調更方便。

假設您想設置由按時解凍——燒烤烹調組成的多段烹調程式。

1. 在待機關門狀態下，按【按時解凍】鍵一次；
2. 按數字鍵設置所需解凍時間；
3. 按【記憶】鍵一次；
4. 按【燒烤】鍵一次；
5. 按數字鍵設置所需烹調時間
6. 按【啓動】鍵一次。

備註：按時解凍程式只能設在第一段，而按重解凍和極速啓動功能不能設在多段烹調程式中。

### 預約烹調

您可以先放入食物，然後預定微波爐在預約時間自動啓動。

假設您想預定微波爐在 12 點 35 分啓動一段微波烹調程式。

1. 放好食物後關上爐門；
2. 在待機狀態下，按【微波】鍵一次；
3. 按數字鍵設置所需烹調時間；
4. 連續按【火力】鍵選擇所需烹調火力；
5. 按【預約】鍵一次；
6. 按數字鍵設置預約時間為 12:35；
7. 按【啓動】鍵一次。

備註：只有極速啓動不能使用預約功能。在預約狀態下，按【預約】鍵一次可查詢預約時間，再按【停止】鍵可取消預約功能。

### 極速啓動

此功能是以 100%微波火力快速加熱食物。只需在待機關門狀態下連續按【極速啓動】鍵設置烹調時間(最長可設置到 10 分鐘)，微波爐會自動以高火力啓動烹調程式。

### 按重解凍

只要選擇解凍食物的種類和重量，微波爐會自動選擇解凍時間及火力。

每類解凍食物的最高重量見下表：

食物種類	最高重量	顯示符號
肉類	2300g	d1
鷄類	4000g	d2
海鮮	900g	d3

1. 在待機關門狀態下，連續按【按重解凍】鍵選擇所需解凍食物種類的代碼；
2. 按數字鍵選擇解凍食物的重量；
3. 按【啓動】鍵一次。

備註：在解凍過程途中，程式自動暫停時請翻轉食物使其解凍均勻，再按【啓動】鍵一次繼續烹調。如果解凍食物超過了最高重量，微波爐不會啓動，請使用按時解凍功能。

### 按時解凍

只需設置解凍食物所需的解凍時間，微波爐會自動選擇解凍火力。最長解凍時間為 99 分 99 秒。

1. 在待機關門狀態下，按【按時解凍】鍵一次；
2. 按數字鍵設置所需解凍時間；
3. 按【啓動】鍵一次。

備註：在解凍過程途中，程式自動暫停時請翻轉食物使其解凍均勻，再按【啓動】鍵一次繼續烹調。

## 清潔與保養

1. 清洗爐腔之前，須關閉微波爐，並從插座上拔去電源線插頭。
2. 經常保持爐腔清潔。當食物或湯水濺到爐內壁時，可用濕布擦去。如爐內壁很骯髒則可使用軟性洗潔劑擦洗。切勿使用粗糙、磨損性的洗潔劑，它可能導致爐門表層被染色、刮花或變得無光澤。
3. 微波爐外表面應用濕布拭擦。注意不要讓水滲入爐縫或通風口，以免損壞爐內零件。
4. 爐門和爐窗外兩側、門封和附件部分必須經常使用濕布拭擦乾淨，不可用腐蝕性洗潔劑。
5. 切勿弄濕控制面板。若控制板被弄濕，可用軟的乾布抹擦。在擦控制面板時，請將爐門打開，以免意外啓動微波爐。
6. 爐內外如有蒸氣凝聚成的水滴，可用軟布擦淨。這是因為微波爐在高溫潮濕的情況下操作所致，屬正常情況。
7. 必須經常清潔玻璃轉盤。可用溫熱的肥皂水或洗碗機清洗，再抹乾放回原位。
8. 必須經常擦洗轉盤支承和爐腔底面，以減低吵雜音。請用軟性洗潔劑清洗爐腔底面，而轉盤支承則可用溫熱的肥皂水或洗碗機清洗，清洗後抹乾放回原位。
9. 爐內如有異味，可用一杯水加一粒檸檬汁和皮煮 5 分鐘，即可消除。過後需用軟布抹乾。
10. 若必須更換爐燈，務必諮詢本公司維修部以進行更換。
11. 微波爐必須經常保持乾淨，去除任何食物殘餘。若無良好保持乾淨，其表層易變壞，進而縮短其壽命，甚至造成危險。
12. 請勿將此電器隨意丟置在垃圾桶，應將之丟棄在有關當局指定的垃圾處理中心。
13. 帶燒烤功能的微波爐在第一次使用時可能會產生輕微的煙霧並且有異味。因為微波爐在製造時，使用的鋼板上面塗有潤滑油，所以新微波爐在剛使用時會產生油煙和潤滑油因燒烤產生的異味，這屬於正常現象，使用一段時間後這一現象就會消失。

溫馨提示：如英文版本與中文版本有任何抵觸或不相符之處，概以英文版本為準。